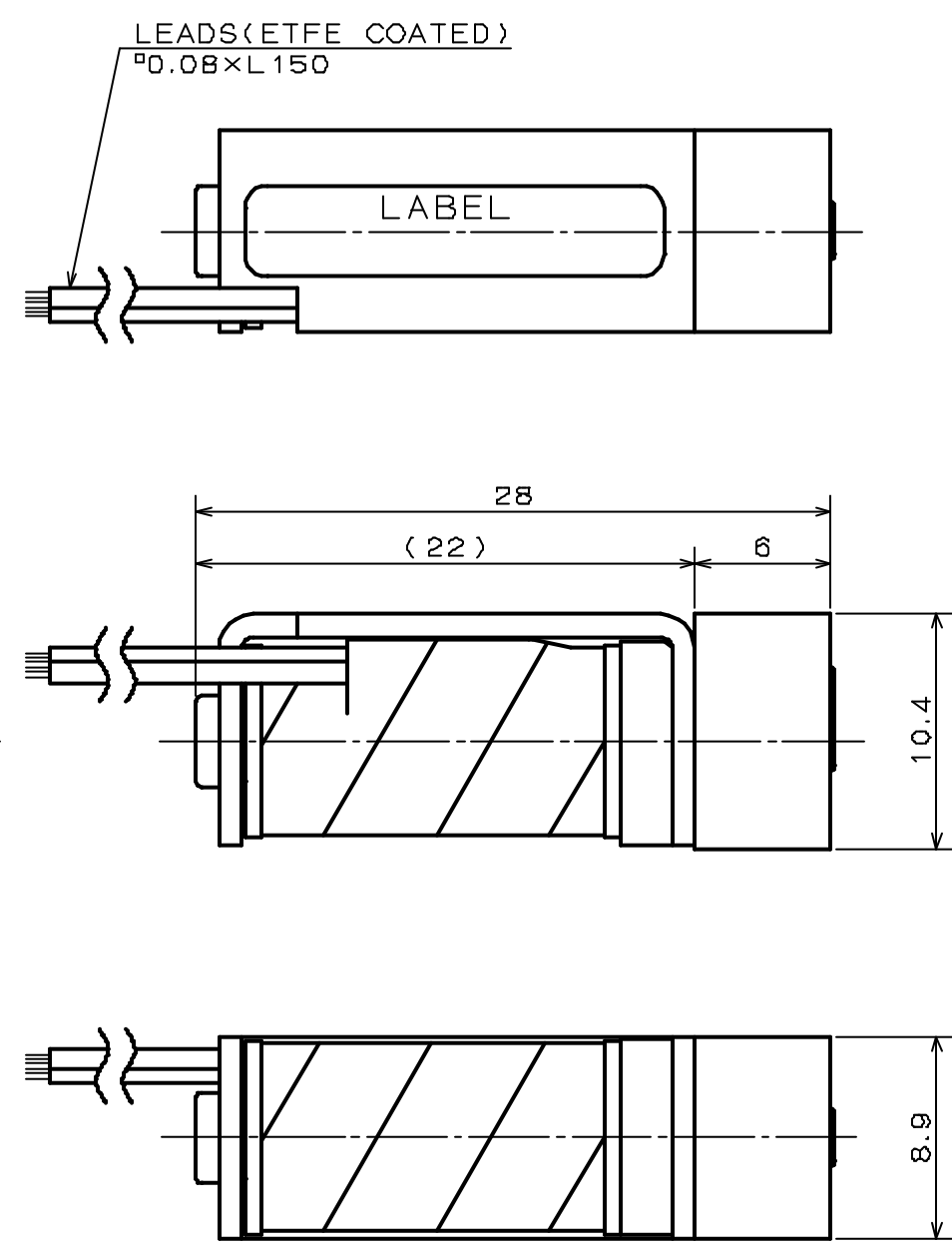


FOR REFERENCE ONLY



SOLENOID VALVE

SPECIFICATIONS for MODEL LV-2-MFF

- ORIFICE DIAMETER : 0.8mm
- OPERATING PRESSURE RANGE : IN 0 ~ 100kPa
{ 0 ~ 1.0bar }
- OUT 0 ~ 50kPa
{ 0 ~ 0.5bar }
- FLUID MEDIA : FLUIDS CHEMICALLY COMPATIBLE WITH MATERIALS BELOW
- MEDIA TEMPERATURE RANGE : 5 ~ 50°C
- AMBIENT TEMPERATURE RANGE : 5 ~ 40°C
- RATED VOLTAGE : 12VDC, 24VDC
- POWER CONSUMPTION : 1.2W
- DUTY CYCLE : CONTINUOUS
- COIL TEMPERATURE INCREASE : MAX. 60°C FROM ROOM TEMPERATURE
- INSULATION CLASS : CLASS B
- DIELECTRIC STRENGTH : 1000VAC FOR 60s

WETTED MATERIALS

△						
△			3	GASKET	FPM	1
△			2	VALVE BODY	PEEK/PPS	1
△			1	DIAPHRAGM	FPM	1
SYM.	DATE	DESCRIPTION	PART NO.	PART NAME	MATERIAL	REQD.
SCALE	APPROVED	CHECKED	DRAWN	SOLENOID VALVE LV-2-MFF		DRAWING NO 03114-00-S
3/1						
A 3						