

FOR REFERENCE ONLY

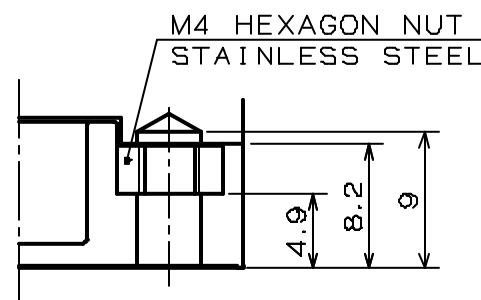
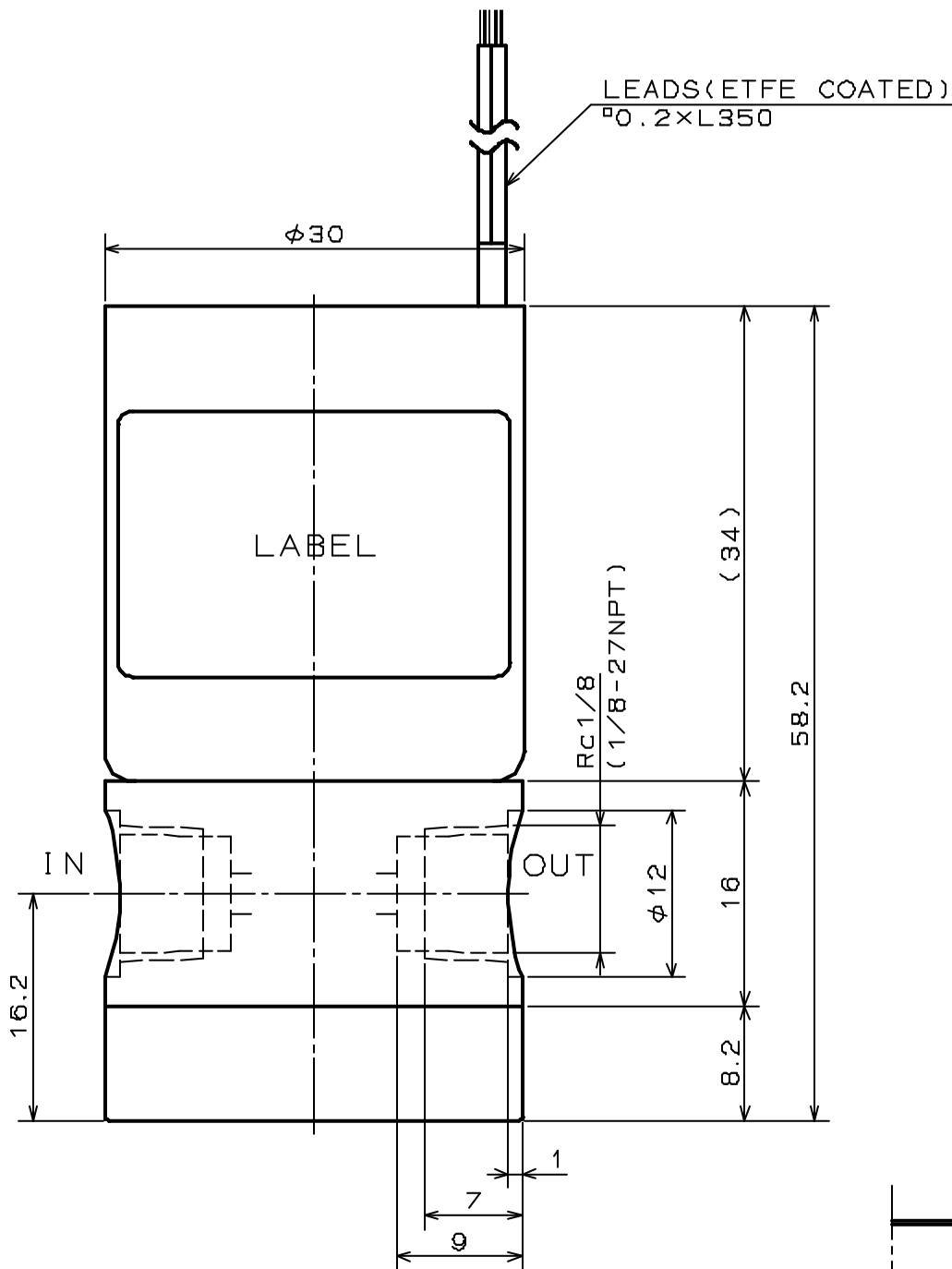
SOLENOID VALVE

SPECIFICATIONS FOR MODEL MLV-2-1/8(1/8N)

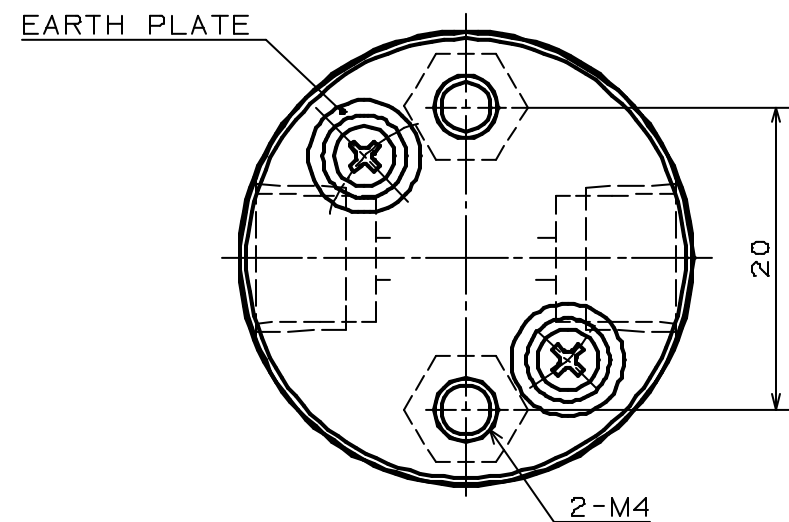
- ORIFICE DIAMETER : 2.5mm
- PORT CONNECTION : Rc1/8, 1/8-27NPT
- OPERATING PRESSURE RANGE : IN -40 ~ 200kPa
(-300mmHg ~ 2bar)
- OUT 0 ~ 50kPa
(0 ~ 0.5bar)
- FLOW MEDIA : FLUIDS CHEMICALLY COMPATIBLE WITH MATERIALS BELOW
- MEDIA TEMPERATURE RANGE : 0 ~ 60°C
- AMBIENT TEMPERATURE RANGE : 0 ~ 60°C
- RATED VOLTAGE : 12VDC, 24VDC, 90VDC
48VAC, 100VAC
(SILICON RECTIFIER ATTACHED)
- POWER CONSUMPTION : 3.1W
- DUTY CYCLE : CONTINUOUS
- COIL TEMPERATURE INCREASE : MAX. 60°C FROM ROOM TEMPERATURE
- INSULATION CLASS : CLASS B
- DIELECTRIC STRENGTH : 1500VAC FOR 60s

NOTES

MODEL NUMBER	PORT CONNECTION
MLV-2-1/8	Rc1/8
MLV-2-1/8N	1/8-27NPT



MOUNTING HOLE DETAILS



WETTED MATERIALS

SYM.	DATE	DESCRIPTION	PART NO.	PART NAME	MATERIAL	REQD.	NOTE
△			2	DIAPHRAGM	PTFE	1	
△			1	VALVE BODY	PTFE/HPVC	1	
REVISION			PART NO.	PART NAME	MATERIAL	REQD.	NOTE
SCALE	APPROVED	CHECKED	DRAWN	SOLENOID VALVE		DRAWING NO	
2/1				MLV-2-1/8(1/8N)		924050-00-S	
A 3							