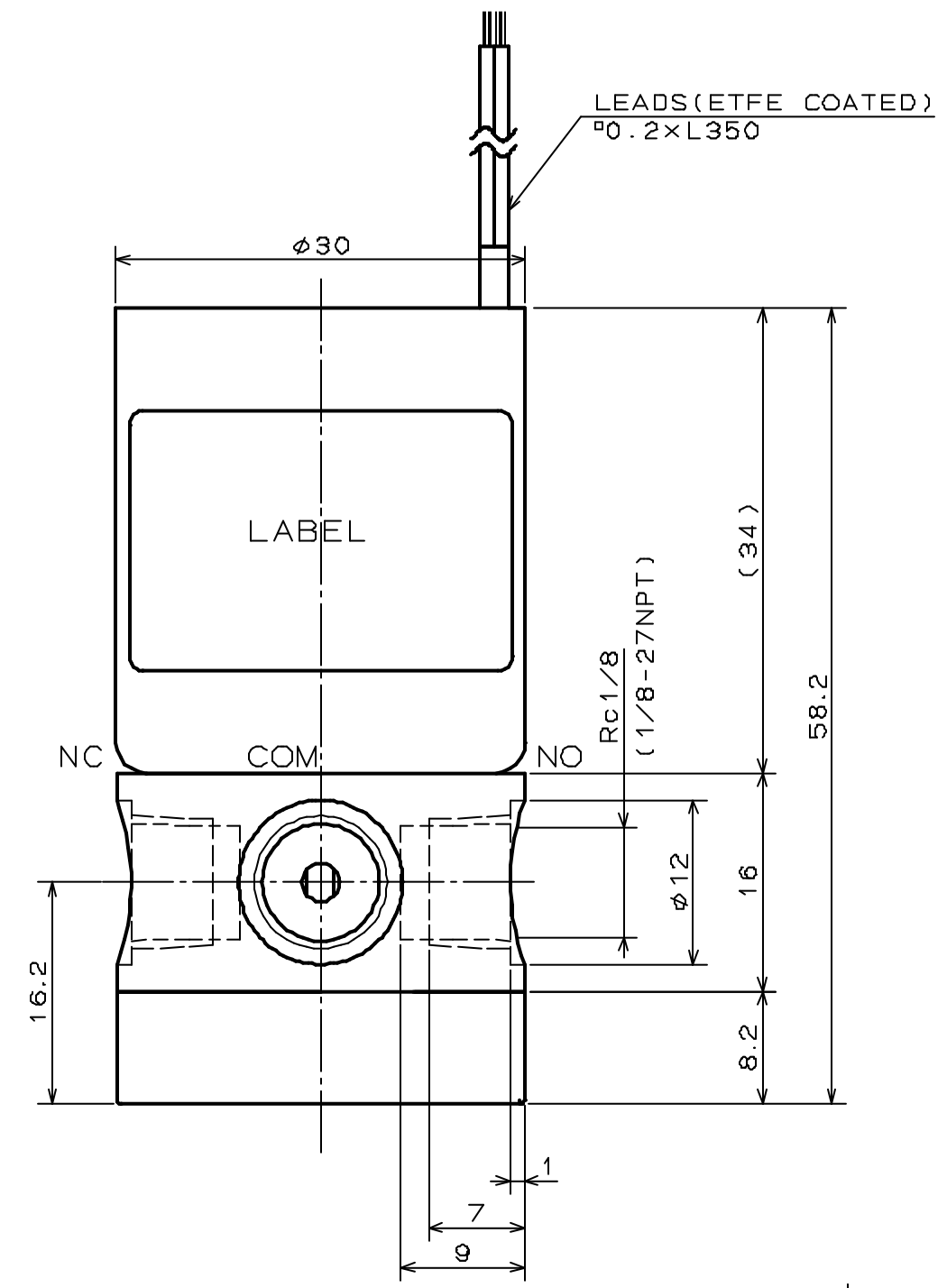


FOR REFERENCE ONLY

SOLENOID VALVE

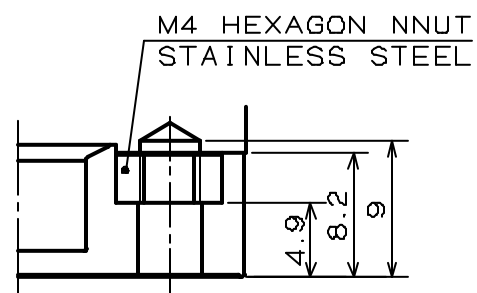
SPECIFICATIONS FOR MODEL MLV-3-1/8(1/8N)



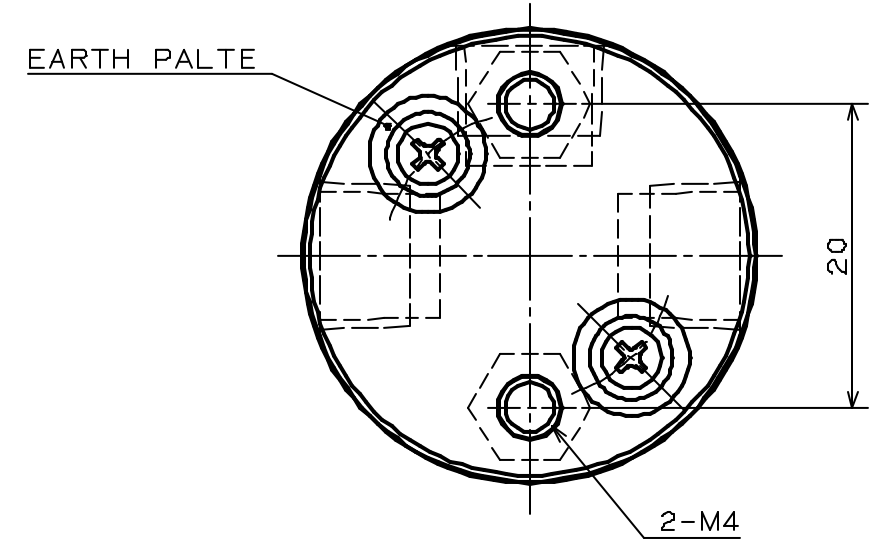
- ORIFICE DIAMETER : 2.5mm
- PORT CONNECTION : Rc1/8, 1/8-27NPT
- OPERATING PRESSURE RANGE : COM -40 ~ 200kPa
{-300mmHg ~ 2.0bar}
- NC, NO 0 ~ 50kPa
{0 ~ 0.5bar}
- FLOW MEDIA : FLUDIS CHEMICALLY COMPATIBLE WITH MATERIALS BELOW
- MEDIA TEMPERATURE RANGE : 0 ~ 60°C
- AMBIENT TEMPERATURE RANGE : 0 ~ 60°C
- RATED VOLTAGE : 12VDC, 24VDC, 90VDC, 100VAC(SILICON RECTIFIER ATTACHED)
- POWER CONSUMPTION : 3.1W
- DUTY CYCLE : CONTINUOUS
- COIL TEMPERATURE INCREASE : MAX. 60°C FROM ROOM TEMPERATURE
- INSULATION CLASS : CLASS B
- DIELCTRIC STRENGTH : 1500VAC FOR 60s

NOTE

MODEL NUMBER	PORT CONNECTION
MLV-3-1/8	Rc 1/8
MLV-3-1/8N	1/8-27NPT



MOUNTING HOLE DETAILS



WETTED MATERIALS

SYM.	DATE	DESCRIPTION	PART NO	PART NAME	MATERIAL	REQD.	NOTE
△			3	DIAPHRAGM	PTFE	2	
△			2	STEM	Al ₂ O ₃	1	
△			1	VALVE BODY	PTFE/HPVC	1	
SCALE		APPROVED	CHECKED	DRAWN	SOLENOID VALVE		DRAWING NO
2/1					MLV-3-1/8(1/8N)		924058-00-S
A 3							