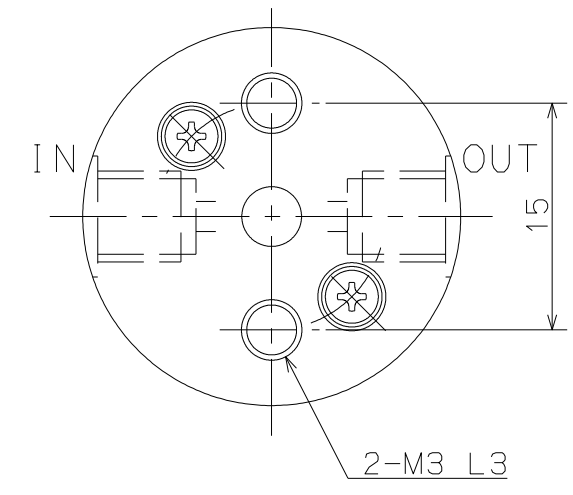
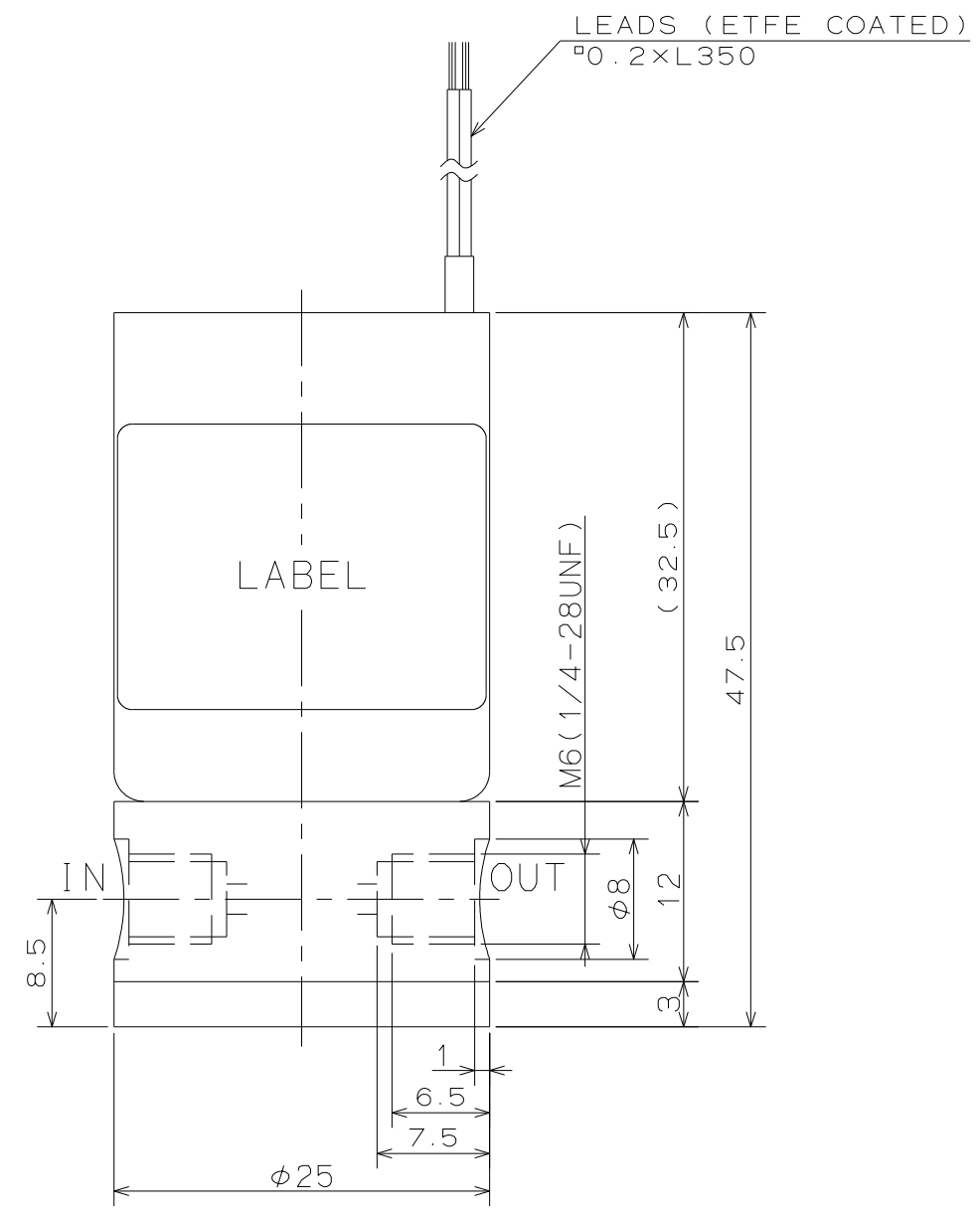


FOR REFERENCE ONLY

# SOLENOID VALVE

## SPECIFICATIONS FOR MODEL MTV-2-M6(1/4U)GHT-20



- ORIFICE DIAMETER : 1.8mm
- PORT CONNECTION : M6, 1/4-28UNF
- OPERATING PRESSURE RANGE : IN 0 ~ 800kPa  
{ 0 ~ 8bar }  
OUT 0 ~ 100kPa  
{ 0 ~ 1bar }
- FLUID MEDIA : FLUIDS CHEMICALLY COMPATIBLE WITH MATERIALS BELOW
- MEDIA TEMPERATURE RANGE : 5 ~ 180°C
- AMBIENT TEMPERATURE RANGE : 5 ~ 40°C
- RATED VOLTAGE : 24VDC
- POWER CONSUMPTION : 7.6W
- DUTY CYCLE : INTERMITTENT  
ED=20% MAXIMUM ON TIME 5min.
- INSULATION CLASS : CLASS H
- DIELECTRIC STRENGTH : 1500VAC FOR 60s

NOTE

MODEL NUMBER	PORT CONNECTION
MTV-2-M6GHT-20	M6
MTV-2-1/4UGHT-20	1/4-28UNF

WETTED MATERIALS

△							
△			3	DIAPHRAGM	PFA	1	
△			2	SOFT SEAL	DAIEL PERFLUOR	1	
SYM.	DATE	DESCRIPTION	1	VALVE BODY	PFA	1	
REVISION			PART NO.	PART NAME	MATERIAL	REQD.	NOTE
SCALE	APPROVED	CHECKED	DRAWN	SOLENOID VALVE		DRAWING NO	
2/1				MTV-2-M6(1/4U)GHT-20		10246-00-S	
A 3							