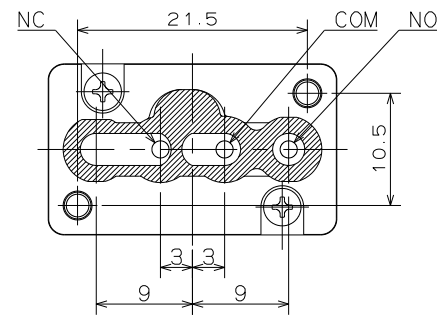
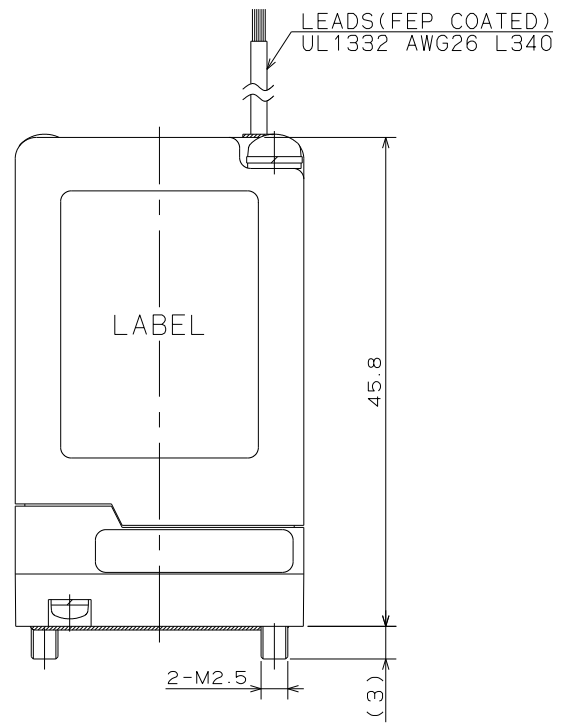
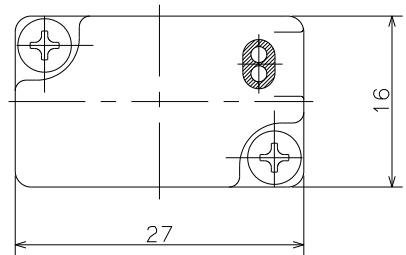


FOR REFERENCE ONLY

SOLENOID VALVE

SPECIFICATIONS for MODEL RVB-3R-MFEA



- ORIFICE DIAMETER : 1.6mm
- PORT CONNECTION : GASKET
- OPERATING PRESSURE RANGE : COM -90 ~ 250kPa
(-675mmHg ~ 2.5bar)
- NC, NO -90 ~ 250kPa
(-675mmHg ~ 2.5bar)
- FLUID MEDIA : FLUIDS CHEMICALLY COMPATIBLE WITH MATERIALS BELOW
- MEDIA TEMPERATURE RANGE : 0 ~ 50°C
- AMBIENT TEMPERATURE RANGE : 0 ~ 50°C
- RATED VOLTAGE : 12VDC, 24VDC
- POWER CONSUMPTION : 3.4W
- DUTY CYCLE : CONTINUOUS
- COIL TEMPERATURE INCREASE : MAX. 75°C FROM ROOM TEMPERATURE
- INSULATION CLASS : CLASS B
- DIELECTRIC STRENGTH : 1000VAC FOR 60s

WETTED MATERIALS

△							
△			3	GASKET	EPDM	1	
△			2	DIAPHRAGM	EPDM	1	
△			1	VALVE BODY	PPS	1	
SYM.	DATE	DESCRIPTION	PART NO.	PART NAME	MATERIAL	REQD.	NOTE
SCALE	APPROVED	CHECKED	DRAWN	SOLENOID VALVE		DRAWING NO	
2/1		A. Tada	Y. Yamada	RVB-3R-MFEA		11446-00-S	
A 3							