

FOR REFERENCE ONLY

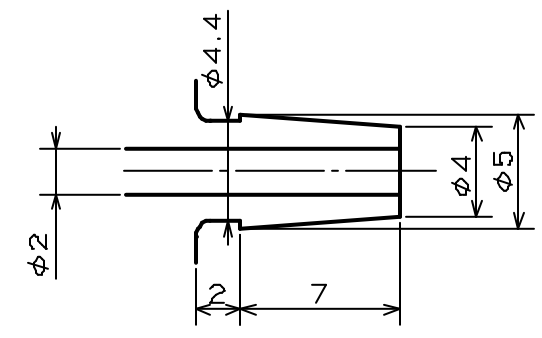
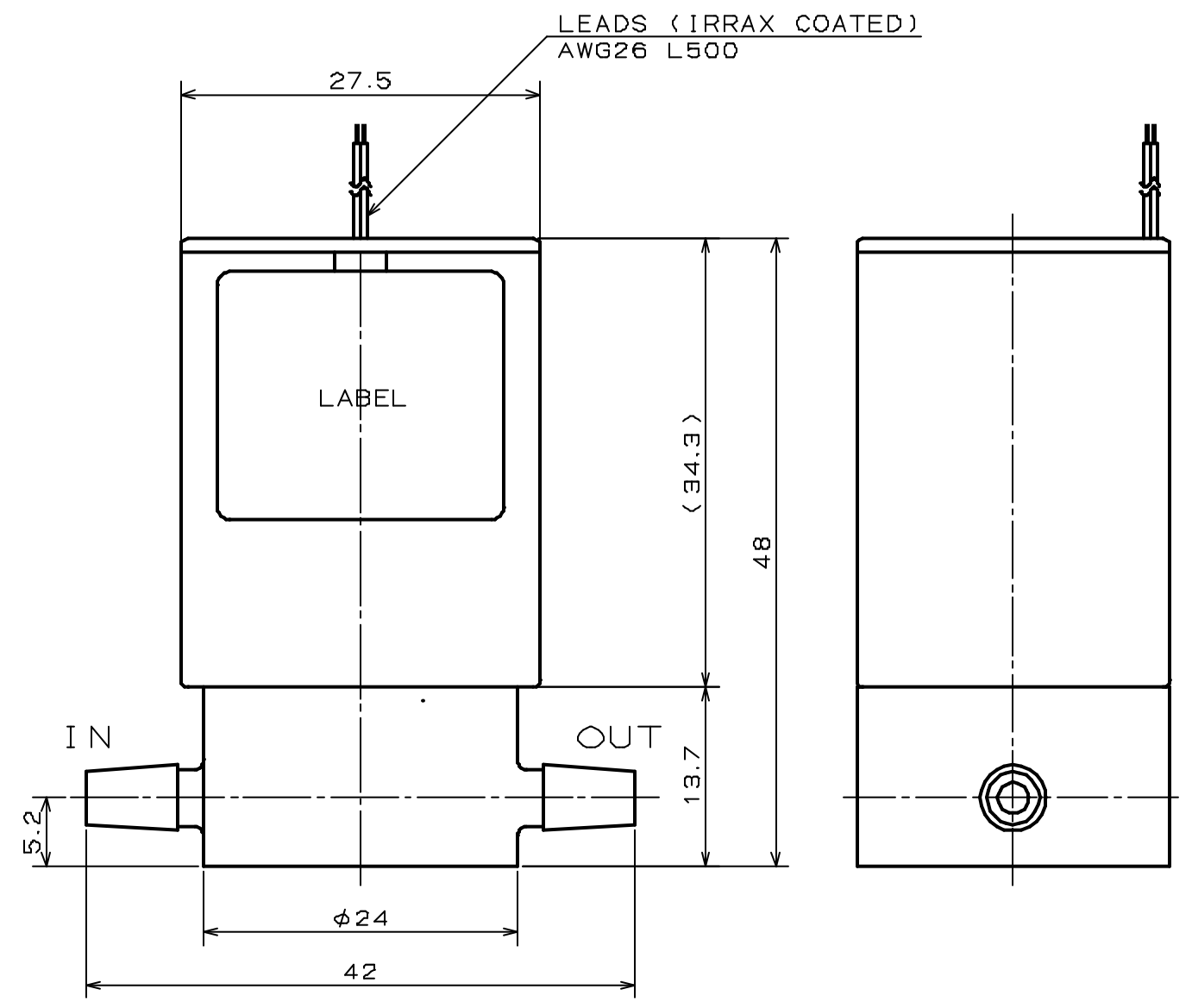
# CLEAN VALVE

## SPECIFICATIONS for MODEL WTA-2R(K)-N4F(G)

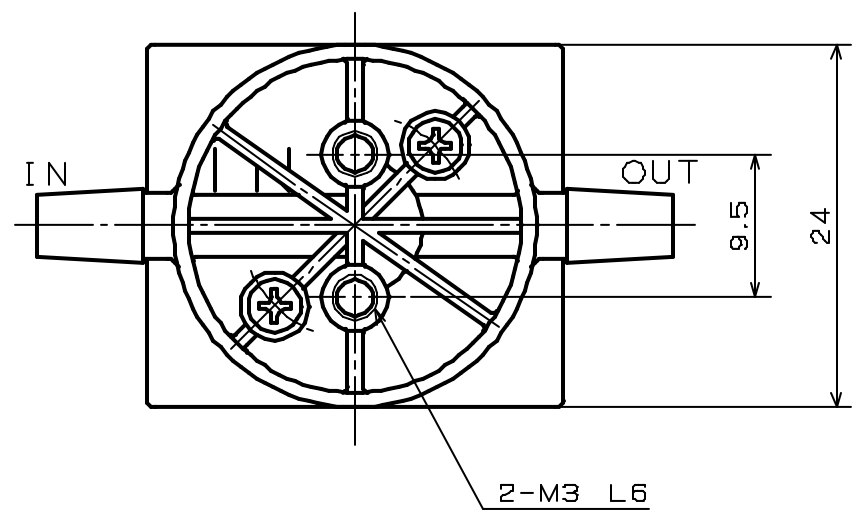
- ORIFICE DIAMETER : 2mm
- PORT CONNECTION : HOSE BARB
- OPERATING PRESSURE RANGE : IN -90 ~ 200kPa  
{ -675mmHg ~ 2.0bar }
- OUT 0 ~ 100kPa  
{ 0 ~ 1.0bar }
- FLUID MEDIA : FLUIDS CHEMICALLY COMPATIBLE WITH MATERIALS BELOW
- MEDIA TEMPERATURE RANGE : 5 ~ 50°C
- AMBIENT TEMPERATURE RANGE : 5 ~ 50°C
- RATED VOLTAGE : 12VDC, 24VDC
- POWER CONSUMPTION : 2.8W
- DUTY CYCLE : CONTINUOUS
- COIL TEMPERATURE INCREASE : MAX. 60°C FROM ROOM TEMPERATURE
- INSULATION CLASS : CLASS E
- DIELECTRIC STRENGTH : 1000VAC FOR 60s

NOTE

MODEL NUMBER	BODY MATERIAL	SOFT SEALER MATERIAL
WTA-2R-N4F	PPS	FPM
WTA-2R-N4G	PPS	DAIEL <sub>g</sub> PERFLUOR
WTA-2K-N4F	PEEK	FPM
WTA-2K-N4G	PEEK	DAIEL <sub>g</sub> PERFLUOR



HOSE BARB DETAILS  
SCALE : 3/1



### WETTED MATERIALS

△								
△			3	DIAPHRAGM	PTFE	1		
△			2	SOFT SEALER	FPM/DAIEL <sub>g</sub> PERFLUOR	1		
SYM.	DATE	DESCRIPTION	1	VALVE BODY	PPS/PEEK	1		
REVISION			PART NO.	PART NAME	MATERIAL	REQD.	NOTE	
SCALE	APPROVED	CHECKED	DRAWN	CLEAN VALVE			DRAWING NO	
2/1				WTA-2R(K)-N4F(G)			02201-00-S	
A 3								