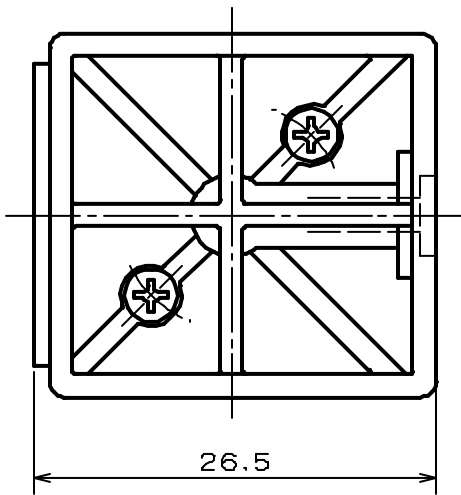
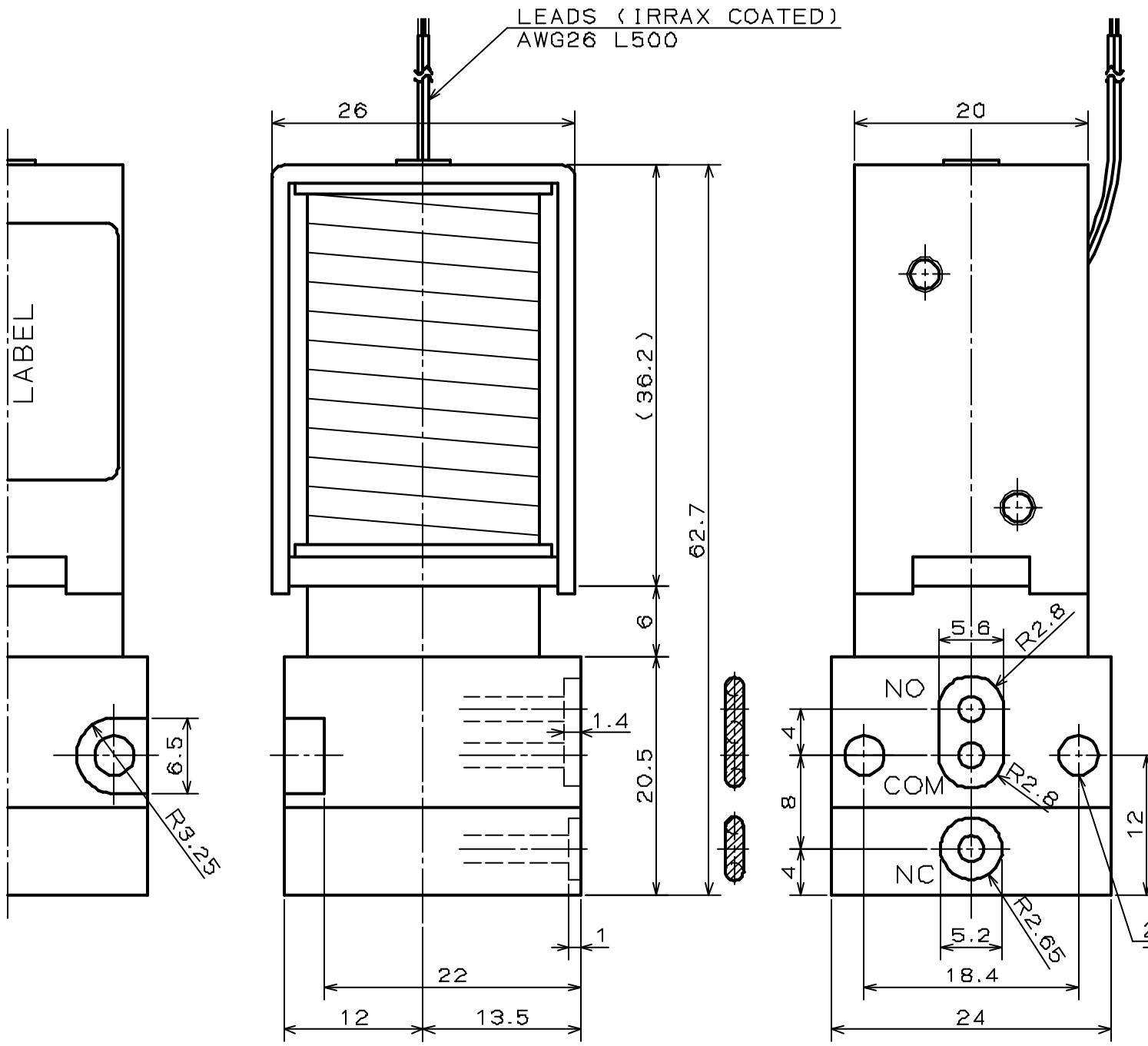


FOR REFERENCE ONLY

SOLENOID VALVE

SPECIFICATIONS for MODEL WTB-3K-MFF5

- ORIFICE DIAMETER : 2mm
- PORT CONNECTION : COM. NO GASKET SEAL
NC O-RING SEAL (SIZE: $\phi 2.6 \times W1.3$)
- OPERATING PRESSURE RANGE : COM -50 ~ 200kPa
{ 375mmHg ~ 2bar }
- NC, NO 0 ~ 50kPa
{ 0 ~ 0.5bar }
- FLUID MEDIA : FLUIDS CHEMICALLY COMPATIBLE WITH MATERIALS BELOW
- MEDIA TEMPERATURE RANGE : 5 ~ 50°C
- AMBIENT TEMPERATURE RANGE : 5 ~ 50°C
- RATED VOLTAGE : 24VDC
- POWER CONSUMPTION : 3.4W
- DUTY CYCLE : CONTINUOUS
- COIL TEMPERATURE INCREASE : MAX. 65°C FROM ROOM TEMPERATURE
- INSULATION CLASS : CLASS E
- DIELECTRIC STRENGTH : 1000VAC FOR 60s



WETTED MATERIALS

7	GASKET	FPM	1	
6	O-RING	FPM	1	$\phi 2.6 \times W1.3$
5	DIAPHRAGM	PTFE	1	
4	DISK	FPM	1	
3	VALVE BODY A	PEEK	1	
2	O-RING	FPM	1	
1	VALVE BODY B	PEEK	1	

SYM.	DATE	DESCRIPTION	PART NO.	PART NAME	MATERIAL	REQD.	NOTE
\triangle							
\triangle							
\triangle							
REVISION				SOLENOID VALVE		DRAWING NO	
SCALE	APPROVED	CHECKED	DRAWN	WTB-3K-MFF5		05408-00-S	
2/1							
A 3							