

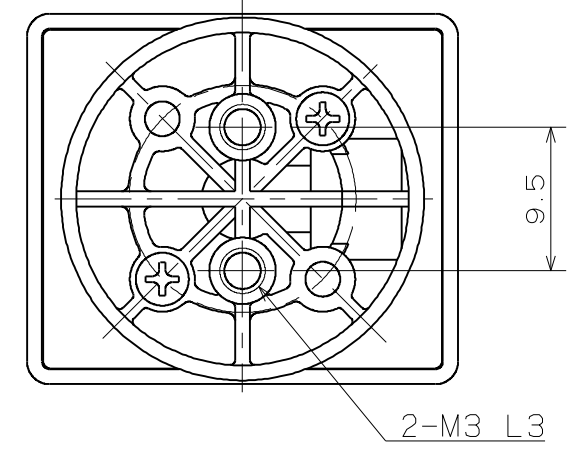
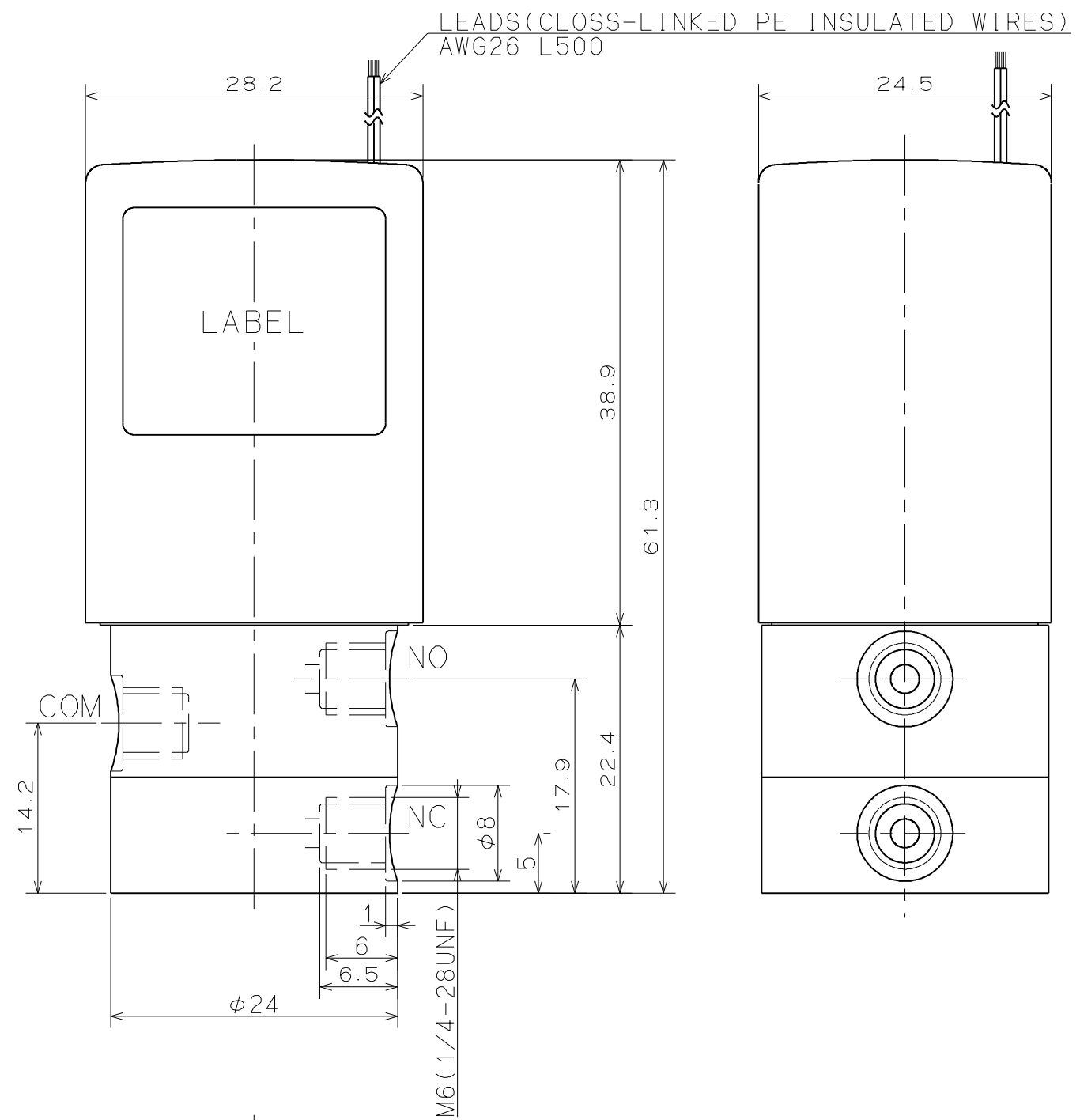
FOR REFERENCE ONLY

# SOLENOID VALVE

## SPECIFICATIONS FOR MODEL WTB-3R(K)-M6(1/4U)F

- ORIFICE DIAMETER : 2mm
- PORT CONNECTION : M6, 1/4-28UNF
- OPERATING PRESSURE RANGE : COM -50 ~ 200kPa  
{ -375mmHg ~ 2bar }
- NC, NO 0 ~ 50kPa  
{ 0 ~ 0.5bar }
- FLUID MEDIA : FLUIDS CHEMICALLY COMPATIBLE WITH MATERIALS BELOW
- MEDIA TEMPERATURE RANGE : 5 ~ 50°C
- AMBIENT TEMPERATURE RANGE : 5 ~ 50°C
- RATED VOLTAGE : 12VDC, 24VDC
- POWER CONSUMPTION : 3.4W
- DUTY CYCLE : CONTINUOUS
- COIL TEMPERATURE INCREASE : MAX. 65°C FROM ROOM TEMPERATURE
- INSULATION CLASS : CLASS E
- DIELECTRIC STRENGTH : 1000VAC FOR 60s

MODEL NUMBER	BODY MATERIAL	PORT CONNECTION
WTB-3R-M6F	PPS	M6
WTB-3R-1/4UF	PPS	1/4-28UNF
WTB-3K-M6F	PEEK	M6
WTB-3K-1/4UF	PEEK	1/4-28UNF



### WETTED MATERIALS

SYM.	DATE	DESCRIPTION	PART NO	PART NAME	MATERIAL	REQD.	NOTE
△			5	DIAPHRAGM	PTFE	1	
△			4	VALVE BODY A	PPS/PEEK	1	
△			3	DISK	FPM	1	
△			2	O-RING	FPM	1	
△			1	VALVE BODY B	PPS/PEEK	1	

SCALE	APPROVED	CHECKED	DRAWN	SOLENOID VALVE		DRAWING NO
2/1				WTB-3R(K)-M6(1/4U)F		02244-00-S
A 3						