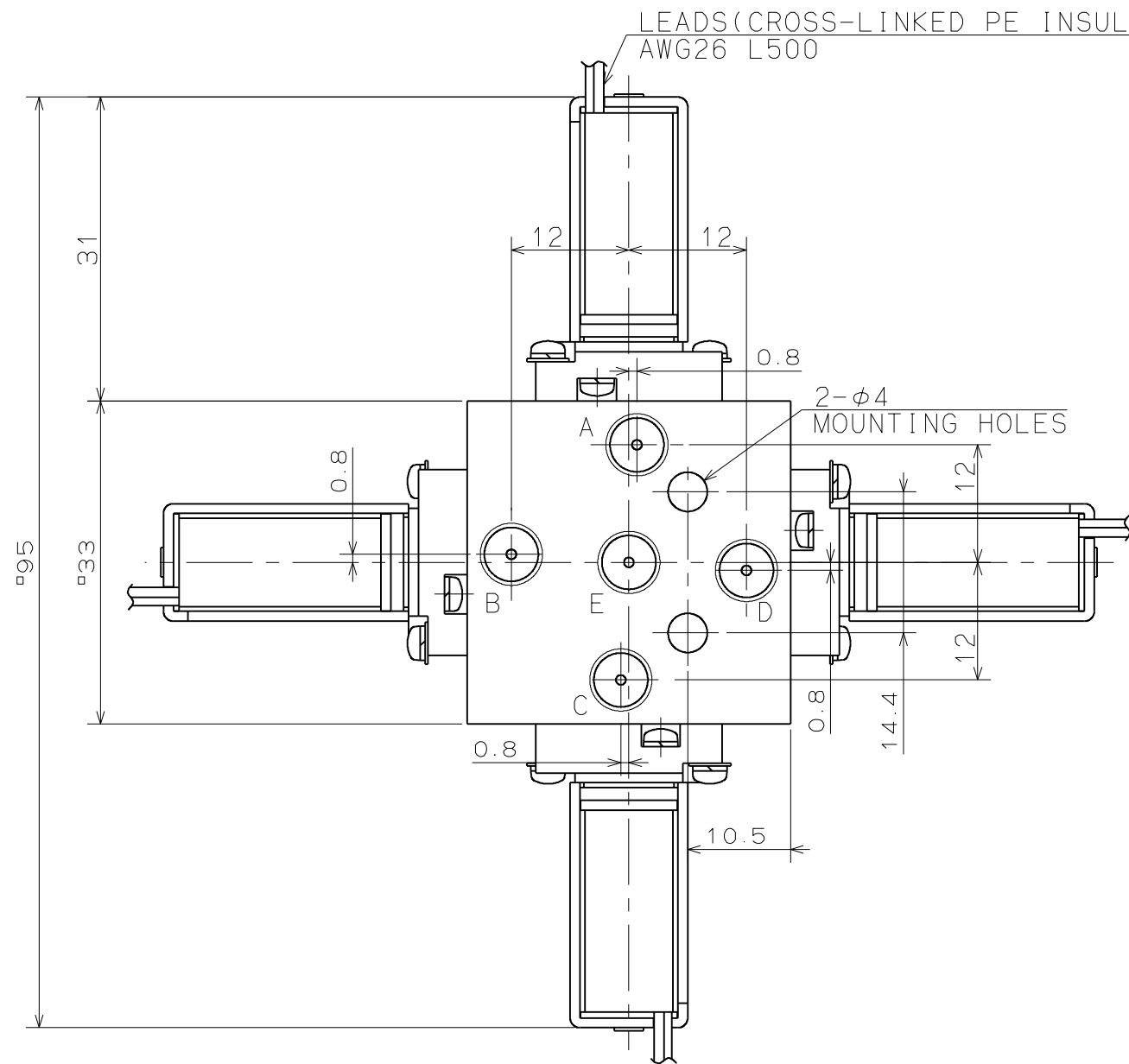


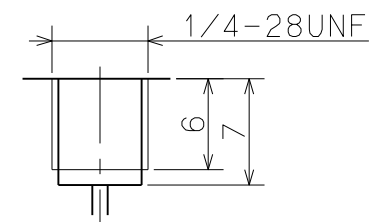
# SOLENOID VALVE

FOR REFERENCE ONLY

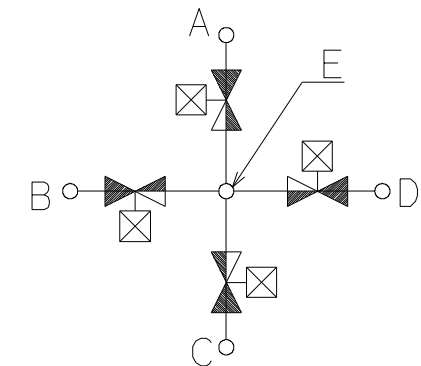


## SPECIFICATIONS for MODEL WTE-2K-4MICUG-4

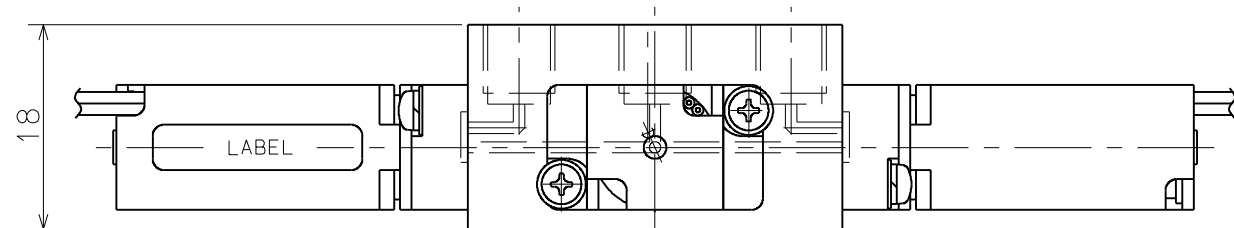
- ORIFICE DIAMETER : 0.8mm
- PORT CONNECTION : 1/4-28UNF
- OPERATING PRESSURE RANGE : A ~ D : 0 ~ 50kPa  
{ 0 ~ 0.5bar }  
E : -65 ~ 100kPa  
{ -487mmHg ~ 1.0bar }
- FLUID MEDIA : FLUIDS CHEMICALLY COMPATIBLE WITH MATERIALS BELOW
- MEDIA TEMPERATURE RANGE : 5 ~ 50°C
- AMBIENT TEMPERATURE RANGE : 5 ~ 40°C
- RATED VOLTAGE : 12VDC, 24VDC
- POWER CONSUMPTION : 1.5W×4
- DUTY CYCLE : CONTINUOUS
- COIL TEMPERATURE INCREASE : MAX. 65 °C FROM ROOM TEMPERATURE
- INSULATION CLASS : CLASS E
- DIELECTRIC STRENGTH : 500VAC FOR 60s



PORT DETAILS  
SCALE: 2/1



FLOW PATTERN



## WETTED MATERIALS

△			5	DIAPHRAGM	PTFE	4	
△			4	SOFT SEAL	DAIEL™ PERFLUOR	4	
△			3	VALVEBODY	PEEK	4	
△			2	GASKET	DAIEL™ PERFLUOR	4	
SYM.	DATE	DESCRIPTION	1	MANIFOLD	PTFE	1	
REVISION			PART NO.	PART NAME	MATERIAL	REQD.	NOTE
SCALE	APPROVED	CHECKED	DRAWN	SOLENOID VALVE			DRAWING NO
3/2		A. Tada	y. Yamada	WTE-2K-4MICUG-4			14183-00-S
A 3							