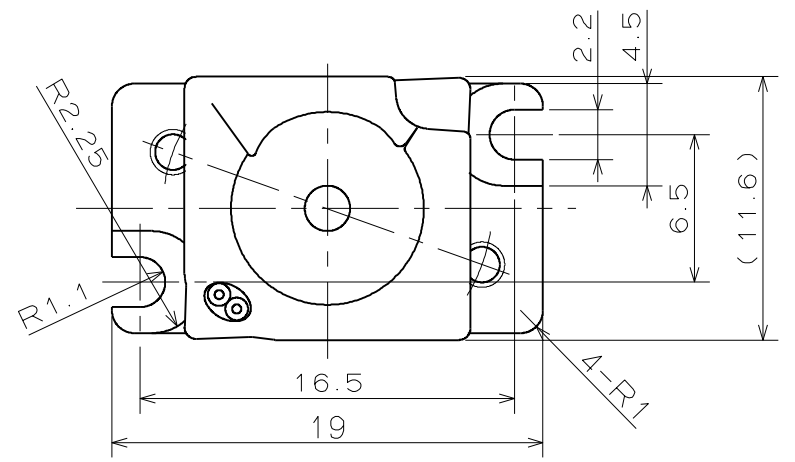


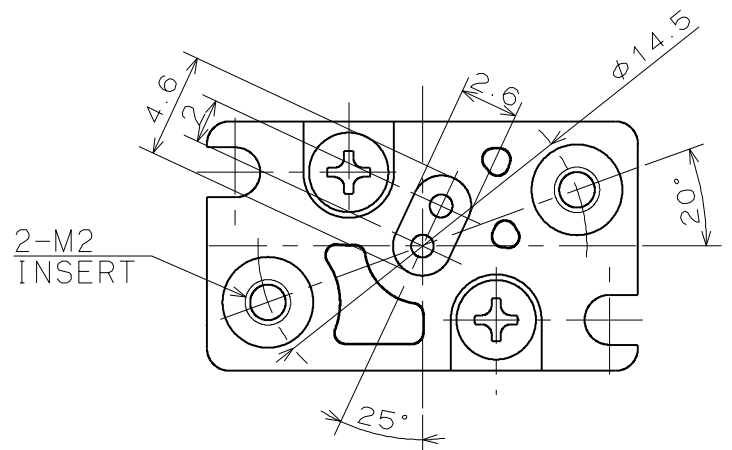
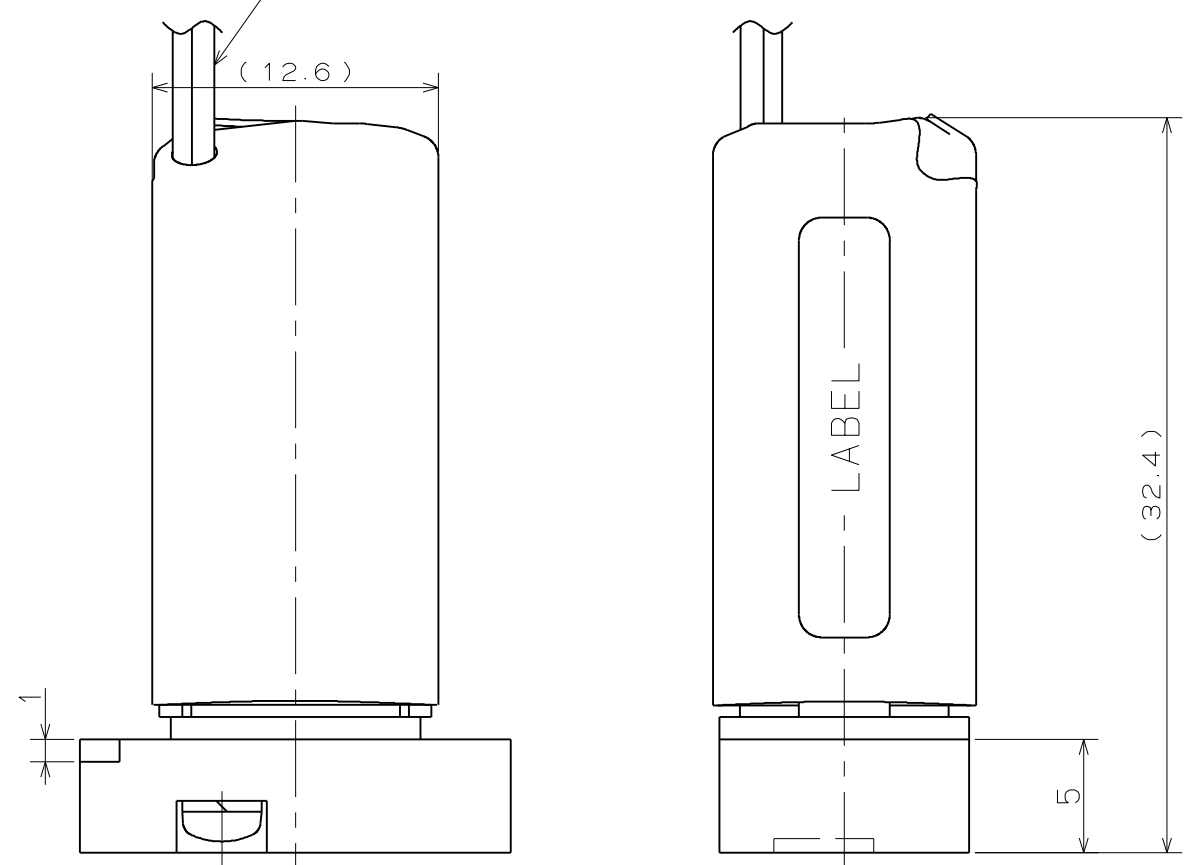
FOR REFERENCE ONLY

# SOLENOID VALVE

SPECIFICATIONS for MODEL WTE-2K-MFG-14



LEADS (CROSS-LINKED PE INSULATED WIRES)  
AWG26 L500



- ORIFICE DIAMETER : 1mm
- PORT CONNECTION : GASKET
- OPERATING PRESSURE RANGE : IN -50 ~ 100kPa  
{ -375mmHg ~ 1bar }
- OUT 0 ~ 50kPa  
{ 0 ~ 0.5bar }
- FLUID MEDIA : FLUIDS CHEMICALLY COMPATIBLE WITH MATERIALS BELOW
- MEDIA TEMPERATURE RANGE : 5 ~ 50°C
- AMBIENT TEMPERATURE RANGE : 5 ~ 40°C
- RATED VOLTAGE : 12VDC
- POWER CONSUMPTION : 1.5W
- COIL TEMPERATURE INCREASE : MAX. 65°C FROM ROOM TEMPERATURE
- DUTY CYCLE : CONTINUOUS
- INSULATION CLASS : CLASS E
- DIELECTRIC STRENGTH : 500VAC FOR 60s

## WETTED MATERIALS

△			4	GASKET	DAIEL™ PERFLUOR	1	
△			3	DIAPHRAGM	PTFE	1	
△			2	SOFT SEAL	DAIEL™ PERFLUOR	1	
SYM.	DATE	DESCRIPTION	1	VALVE BODY	PEEK	1	
REVISION			PART NO.	PART NAME	MATERIAL	REQD.	NOTE
SCALE	APPROVED	CHECKED	DRAWN	SOLENOID VALVE		DRAWING NO	
3/1		A. Tada	y. Yamada	WTE-2K-MFG-14		15005-00-S	
A 3							