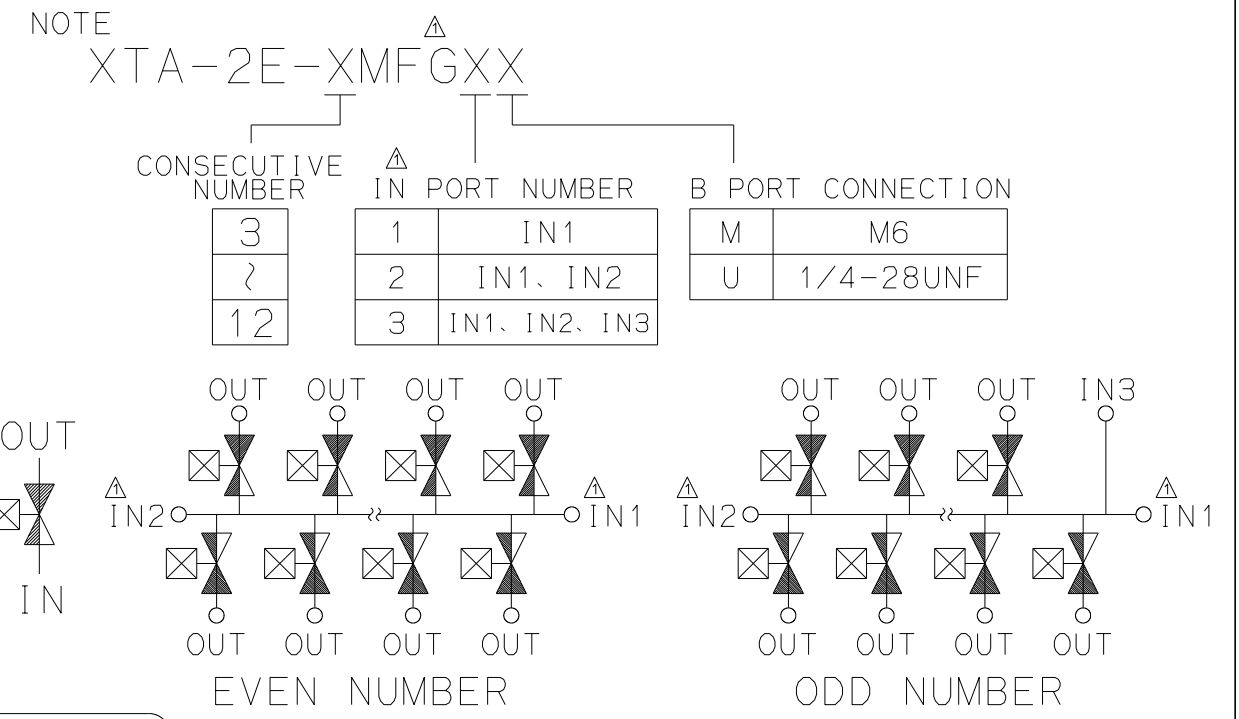
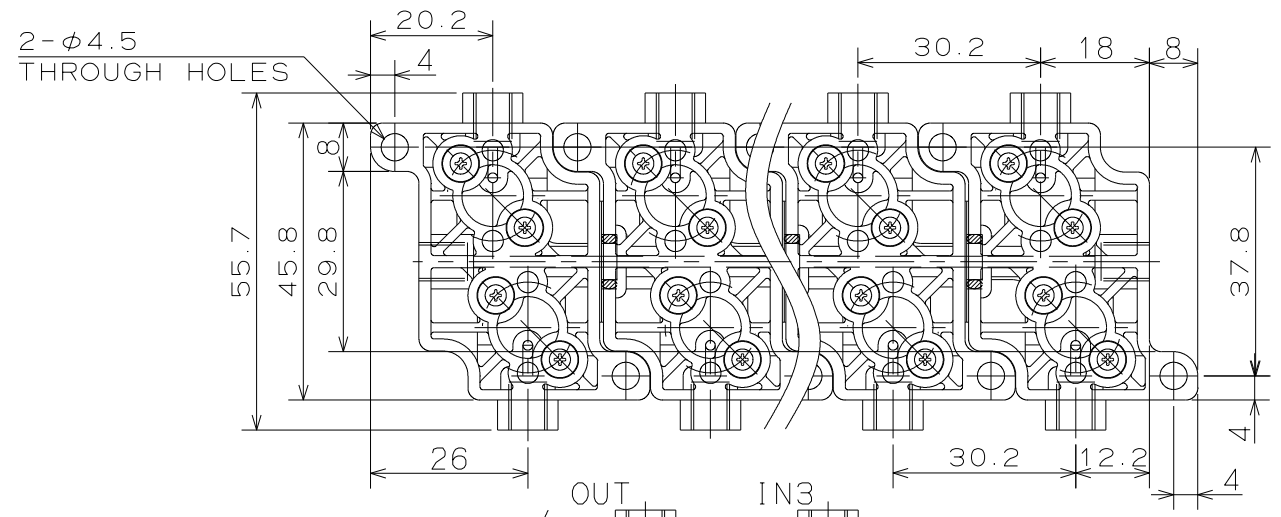
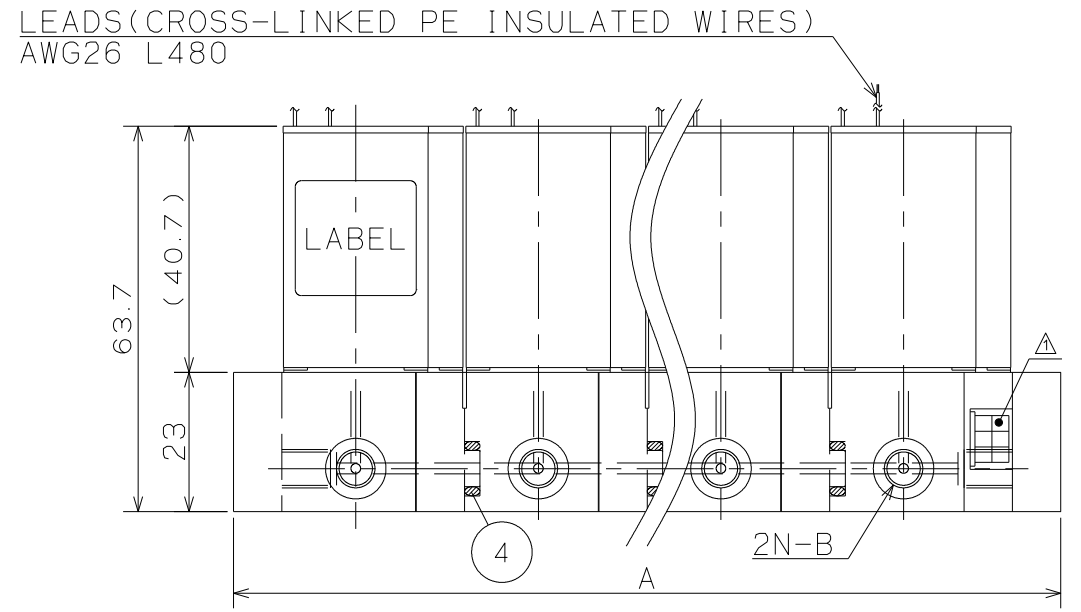
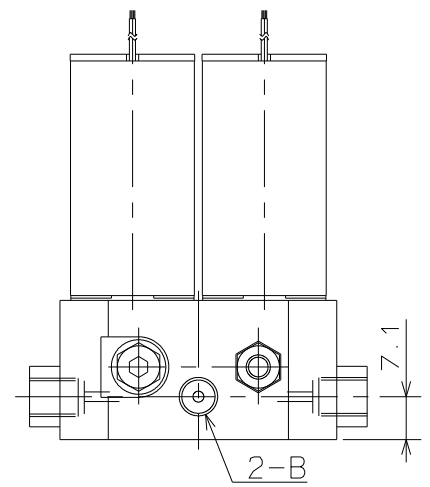


SOLENOID VALVE

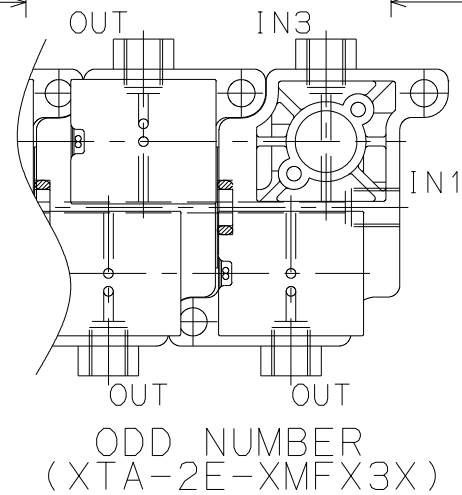
SPECIFICATIONS for MODEL XTA-2E-XMFGXX

- ORIFICE DIAMETER : 1.6mm
- PORT CONNECTION : M6, 1/4-28UNF
- OPERATING PRESSURE RANGE : IN -90 ~ 200kPa
{ -675mmHg ~ 2bar }
- OUT 0 ~ 50kPa
{ 0 ~ 0.5bar }
- FLUID MEDIA : FLUIDS CHEMICALLY COMPATIBLE WITH MATERIALS BELOW
- MEDIA TEMPERATURE RANGE : 5 ~ 50°C
- AMBIENT TEMPERATURE RANGE : 5 ~ 50°C
- RATED VOLTAGE : 12VDC, 24VDC
- POWER CONSUMPTION : 2.8W×n
- DUTY CYCLE : CONTINUOUS
- COIL TEMPERATURE INCREASE : MAX. 65°C FROM ROOM TEMPERATURE
- INSULATION CLASS : CLASS E
- DIELECTRIC STRENGTH : 1000VAC FOR 60s



FOR REFERENCE ONLY

n (CONSECUTIVE NUMBER)	N	DIMENSION	
		A	B
3, 4	2	76.4	M6, 1/4-28UNF
5, 6	3	106.6	M6, 1/4-28UNF
7, 8	4	136.8	M6, 1/4-28UNF
9, 10	5	167	M6, 1/4-28UNF
11, 12	6	197.2	M6, 1/4-28UNF



SYMBOL	DATE	DESCRIPTION	PART NO.	PART NAME	MATERIAL	REQD.	NOTE
△			4	O RING	DAIEL™ PERFLUOR	N-1	
△			3	DIAPHRAGM	PTFE	n	
△	14-8-30	IN PORT NUMBER CHANGED. HEXAGON NUT ADDED. FPM DELETED. etc	2	SOFT SEAL	DAIEL™ PERFLUOR	n	
			1	MANIFOLD	ETFE	N	

SCALE	APPROVED	CHECKED	DRAWN	REVISION	PART NO.	PART NAME	MATERIAL	REQD.	NOTE
4/5		M. Sato	S. Kaji			SOLENOID VALVE			
A 3						XTA-2E-XMFGXX			

WETTED MATERIALS			
△	4	O RING	DAIEL™ PERFLUOR N-1
△	3	DIAPHRAGM	PTFE n
△	2	SOFT SEAL	DAIEL™ PERFLUOR n
	1	MANIFOLD	ETFE N

DRAWING NO	
13320-00-S	