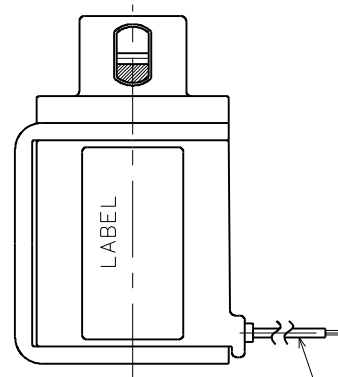
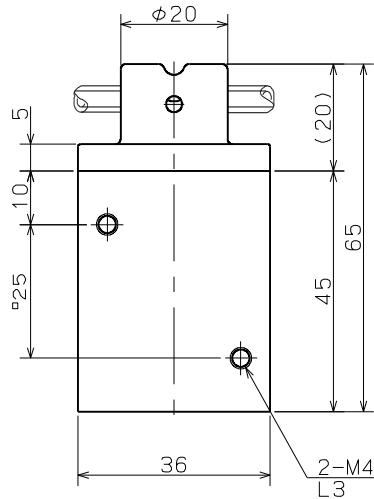
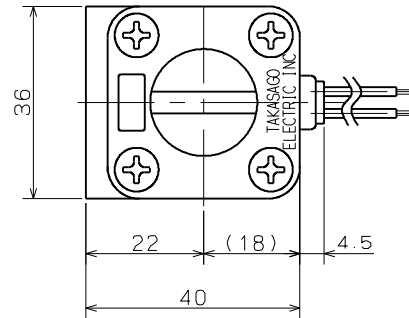


FOR REFERENCE ONLY

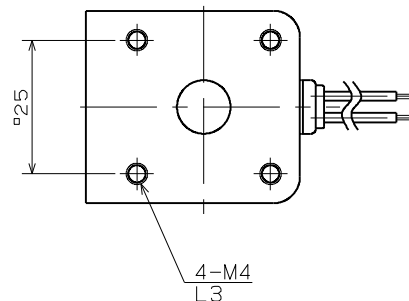
PINCH VALVE

SPECIFICATIONS for MODEL PK-0305-NC

- TUBE DIAMETER : I.D. 3mm O.D. 5mm
- TUBE MATERIAL : SILICONE
- OPERATING PRESSURE RANGE : 0 ~ 50kPa
- AMBIENT TEMPERATURE RANGE : 0 ~ 40°C
- RATED VOLTAGE : 12VDC, 24VDC, 90VDC, 100VAC, 220VAC (50/60Hz SILICON RECTIFIER ATTACHED)
- POWER CONSUMPTION : 10W
- DUTY CYCLE : CONTINUOUS
- COIL TEMPERATURE INCREASE : MAX. 90°C FROM ROOM TEMPERATURE
- INSULATION CLASS : CLASS B
- DIELECTRIC STRENGTH : 1500VAC FOR 60s



LEAD WIRES (RAD WIRE V)
AWG22 UL1430 L300



8	PINCH HEAD	SILICONE	1	
7	PLUNGER	K-M31	1	
6	TUBE HOLDER	PPO	1	
5	COIL ASSEMBLY		1	SPS-MOLDED
4	SPRING	SUS304WPB	1	
3	SEAMLESS PIPE	SUS304	1	
2	FRAME	SPCC	1	ZINC PLATING
1	POLE PIECE	K-M31	1	

△									
△									
△									
SYM.	DATE	DESCRIPTION	PART NO.	PART NAME	MATERIAL	REQD.	NOTE		
REVISION									
SCALE	APPROVED	CHECKED	DRAWN	PINCH VALVE			DRAWING NO		
1/1				PK-0305-NC			825096-00-0-S		
A 3									