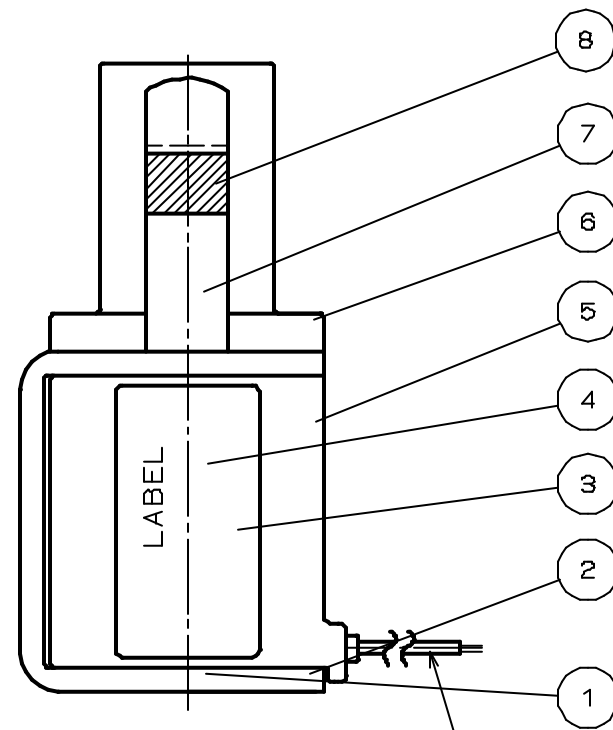
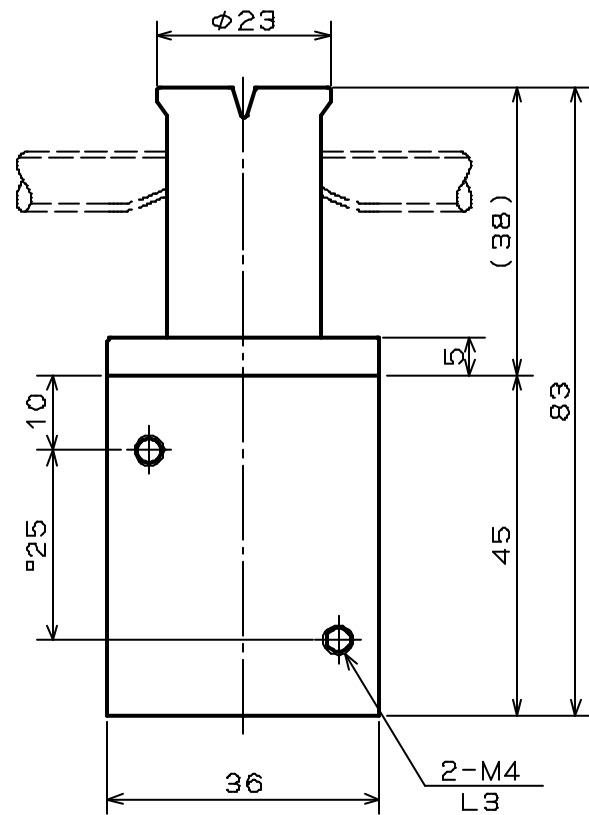
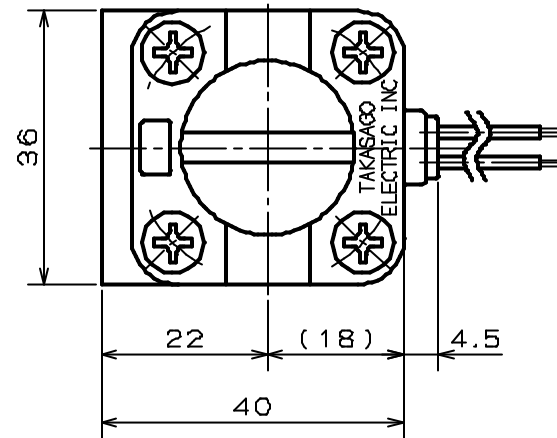


FOR REFERENCE ONLY

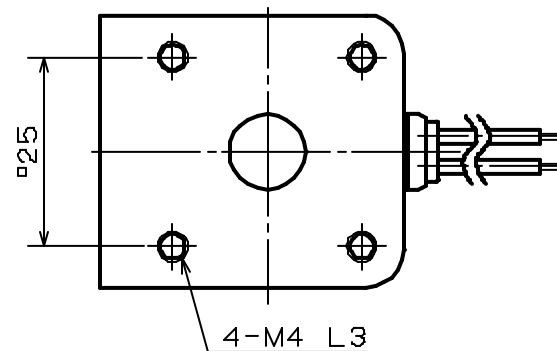
# PINCH VALVE

## SPECIFICATIONS for MODEL PK-0802-NC

- TUBE DIAMETER : I.D. 6mm O.D. 8mm
- TUBE MATERIAL : SILICONE
- OPERATING PRESSURE RANGE : 0 ~ 20kPa
- AMBIENT TEMPERATURE RANGE : 0 ~ 40°C
- RATED VOLTAGE : 12VDC, 24VDC, 90VDC  
100VAC, 200VAC(50/60Hz)  
SILICON RECTIFIER ATTACHED
- POWER CONSUMPTION : 10W
- DUTY CYCLE : CONTINUOUS
- COIL TEMPERATURE INCREASE : MAX. 90°C FROM ROOM TEMPERATURE
- INSULATION CLASS : CLASS B
- DIELECTRIC STRENGTH : 1500VAC FOR 60s



LEAD WIRES (RAD WIRE V)  
AWG22 UL1430 L300



8	PINCHING HEAD	SILICONE	1	
7	PLUNGER	K-M31	1	
6	TUBE HOLDER	MODIFIED PPO	1	
5	COIL ASSEMBLY	SPS	1	
4	SPRING	SUS304WPB	1	
3	SEAMLESS PIPE	SUS304	1	
2	FRAME	SPCC	1	ZINC PLATING
1	POLE PIECE	K-M31	1	

SYMBOL	DATE	DESCRIPTION	PART NO.	PART NAME	MATERIAL	REQD.	NOTE
△							
△							
△							
REVISION				TAKASAGO PINCH VALVE		DRAWING NO	
SCALE	APPROVED	CHECKED	DRAWN	PK-0802-NC		825064-00-0-0-S	
1/1							
A 3							