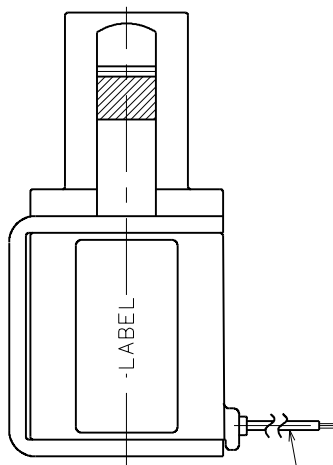
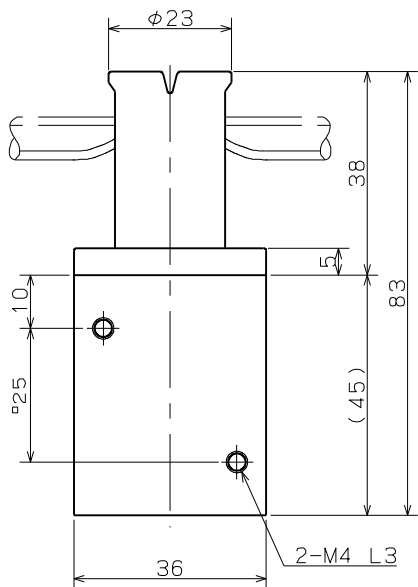
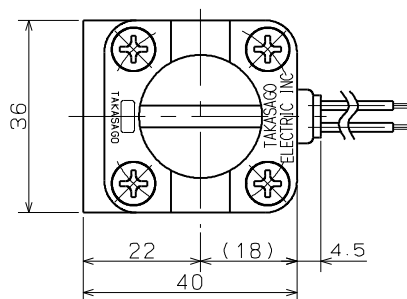


FOR REFERENCE ONLY

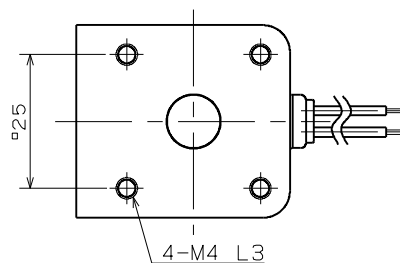
PINCH VALVE

SPECIFICATIONS FOR MODEL PK-4805-NC

TUBE DIAMETER : I.D. 4.8mm O.D. 8mm
 TUBE MATERIAL : SILICONE
 OPERATING PRESSURE RANGE : 0 ~ 50kPa
 MEDIA TEMPERATURE RANGE : -10 ~ 80°C
 AMBIENT TEMPERATURE RANGE : 0 ~ 40°C
 RATED VOLTAGE : 12VDC, 24VDC, 90VDC
 100VAC, 200VAC(50/60Hz) SILICON
 RECTIFIER ATTACHED
 POWER CONSUMPTION : 10W
 DUTY CYCLE : CONTINUOUS
 COIL TEMPERATURE INCREASE : MAX. 90°C FROM ROOM TEMPERATURE
 INSULATION CLASS : CLASS B
 DIELECTRIC STRENGTH : 1500VAC FOR 60s



LEAD WIRES(RAD WIRE®V)
 AWG22 UL1430 L300



8	PINCH HEAD	SILICONE	1	
7	PLUNGER	K-M31	1	
6	TUBE HOLDER	PPO	1	SE-1
5	COIL ASSEMBLY	SPS	1	
4	SPRING	SUS304WPB	1	
3	SEAMLESS PIPE	SUS304	1	
2	FRAME	SPCC	1	ZINC
1	POLE PIECE	K-M31	1	

SYM.	DATE	REVISION	DESCRIPTION	PART NO.	PART NAME	MATERIAL	REQD.	NOTE
△								
△								
△								
				PINCH VALVE		DRAWING NO		
				PK-4805-NC		04023-00-S		
SCALE	APPROVED	CHECKED	DRAWN					
1/1								
A 3								