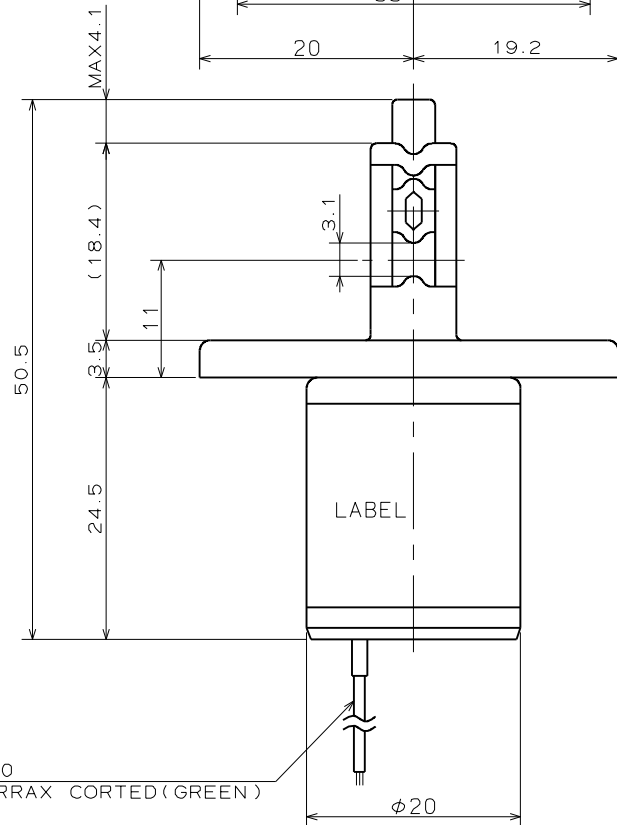
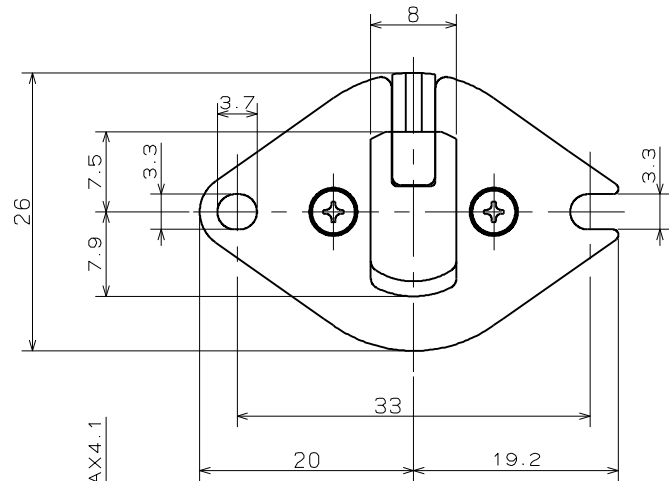


# PINCH VALVE

## SPECIFICATIONS for MODEL PS-1010NO

TYPE	: NORMALLY OPEN
TUBE DIAMETER	: I.D. 1mm, O.D. 3mm
TUBE MATERIAL	: SILICONE
OPERATING PRESSURE RANGE	: 0 ~ 100kPa
AMBIENT TEMPERATURE RANGE	: 0 ~ 50°C
RATED VOLTAGE	: 24VDC±10%
POWER CONSUMPTION	: 3W
DUTY CYCLE	: CONTINUOUS
COIL TEMPERATURE INCREASE	: MAX. 80°C FROM ROOM TEMPERATURE
INSULATION CLASS	: CLASS B
INSULATION RESISTANCE	: 50MΩ (USING 500VDC MEGGER)
DIELECTRIC STRENGTH	: 1500VAC FOR 60s
OPERATING LIFE	: EXCEED 5MILLION CYCLES
RELEASE ELECTRIC CURRENT	: ABOVE 6mA
MOVING VOLTAGE	: BELOW 21.6VDC FROM ROOM TEMPERATURE



φ0.2×L350  
LEADS: IRRAX CORTED (GREEN)

PART NAME	MATERIAL	REQD.	NOTE
PINCH VALVE			
PS-1010NO			