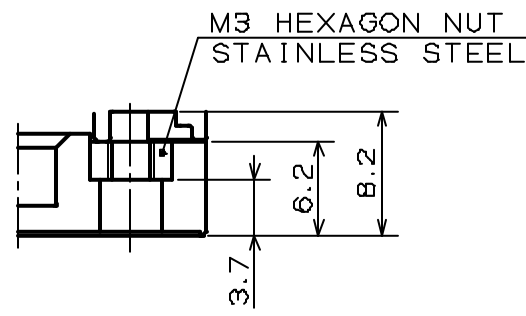
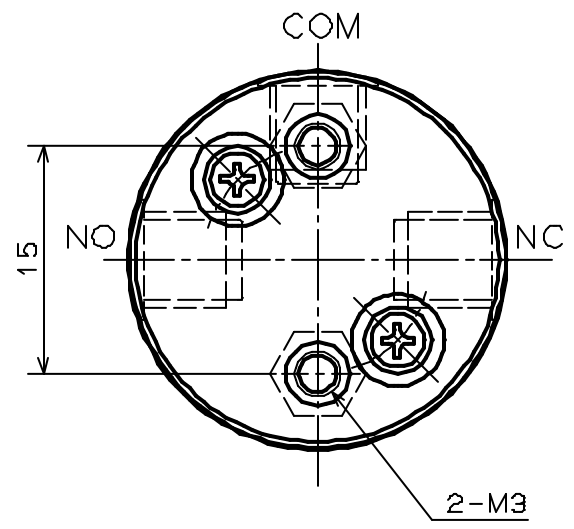
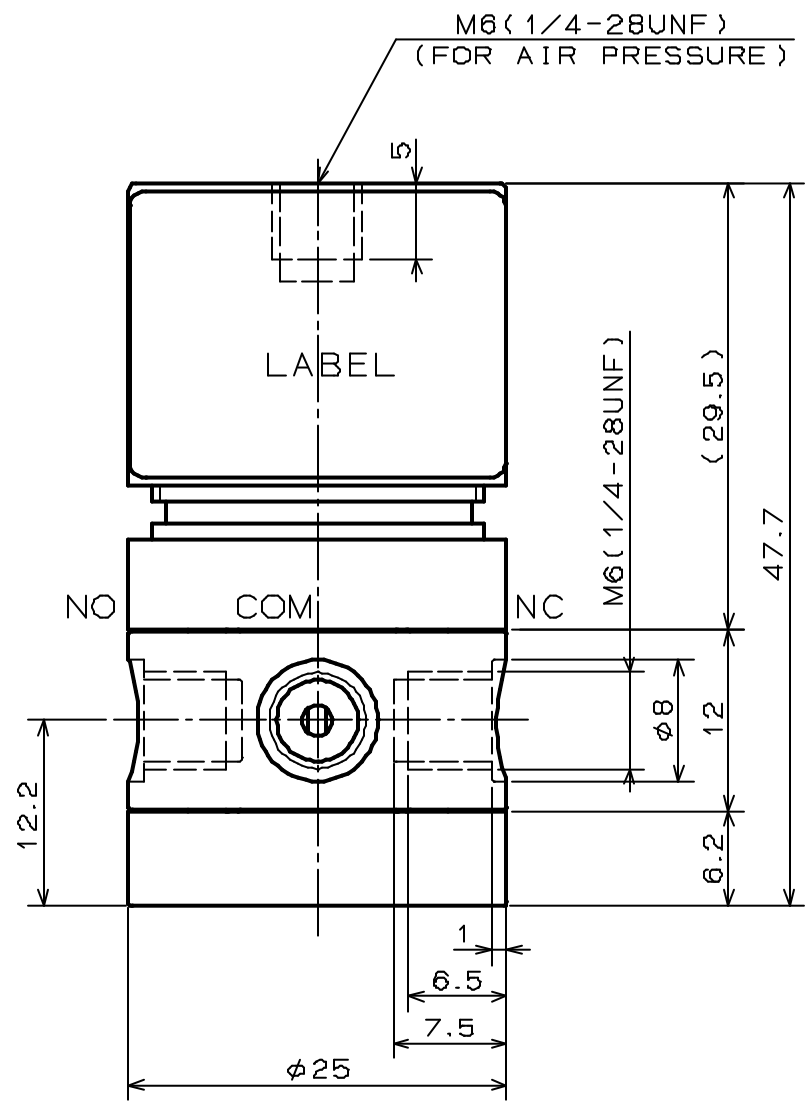


FOR REFERENCE ONLY



MOUNTING HOLE DETAILS

PNEUM CLEAN VALVE

SPECIFICATIONS FOR MODEL PMDP-3-M6(1/4U)K(R)G(F)

- ORIFICE DIAMETER : 1.8mm
- PORT CONNECTION : M6, 1/4-28UNF
- OPERATING PRESSURE RANGE : COM 0 ~ 400kPa
NC, NO 0 ~ 100kPa
- FLOW MEDIA : FLUIDS CHEMICALLY COMPATIBLE WITH MATERIALS BELOW
- MEDIA TEMPERATURE RANGE : 5 ~ 60°C
- AMBIENT TEMPERATURE RANGE : 5 ~ 60°C
- AIR PRESSURE FOR ACTUATION : 300 ~ 600kPa

NOTE :

MODEL NUMBER	VALVE BODY & STEM MATERIAL	SOFT SEAL MATERIAL	PORT CONNECTION	PORT CONNECTION FOR AIR PRESSURE
PMDP-3-M6RG	PPS	DAI E ₆ PERFLUOR	M6	M6
PMDP-3-1/4URG	PPS	DAI E ₆ PERFLUOR	1/4-28UNF	1/4-28UNF
PMDP-3-M6KG	PEEK	DAI E ₆ PERFLUOR	M6	M6
PMDP-3-1/4UKG	PEEK	DAI E ₆ PERFLUOR	1/4-28UNF	1/4-28UNF
PMDP-3-M6RF	PPS	FPM	M6	M6
PMDP-3-1/4URF	PPS	FPM	1/4-28UNF	1/4-28UNF
PMDP-3-M6KF	PEEK	FPM	M6	M6
PMDP-3-1/4UKF	PEEK	FPM	1/4-28UNF	1/4-28UNF

WETTED MATERIALS

△			4	DIAPHRAGM	PTFE	2	
△			3	SOFT SEAL	FPM/DAI E ₆ PERFLUOR	2	
△			2	STEM	PPS/PEEK	1	
SYM.	DATE	DESCRIPTION	1	VALVE BODY	PPS/PEEK	1	
REVISION			PART NO.	PART NAME	MATERIAL	REQD.	NOTE
SCALE	APPROVED	CHECKED	DRAWN	PNEUM CLEAN VALVE		DRAWING NO	
2/1				PMDP-3-M6(1/4U)K(R)G(F)		01127-00-S	
A 3							