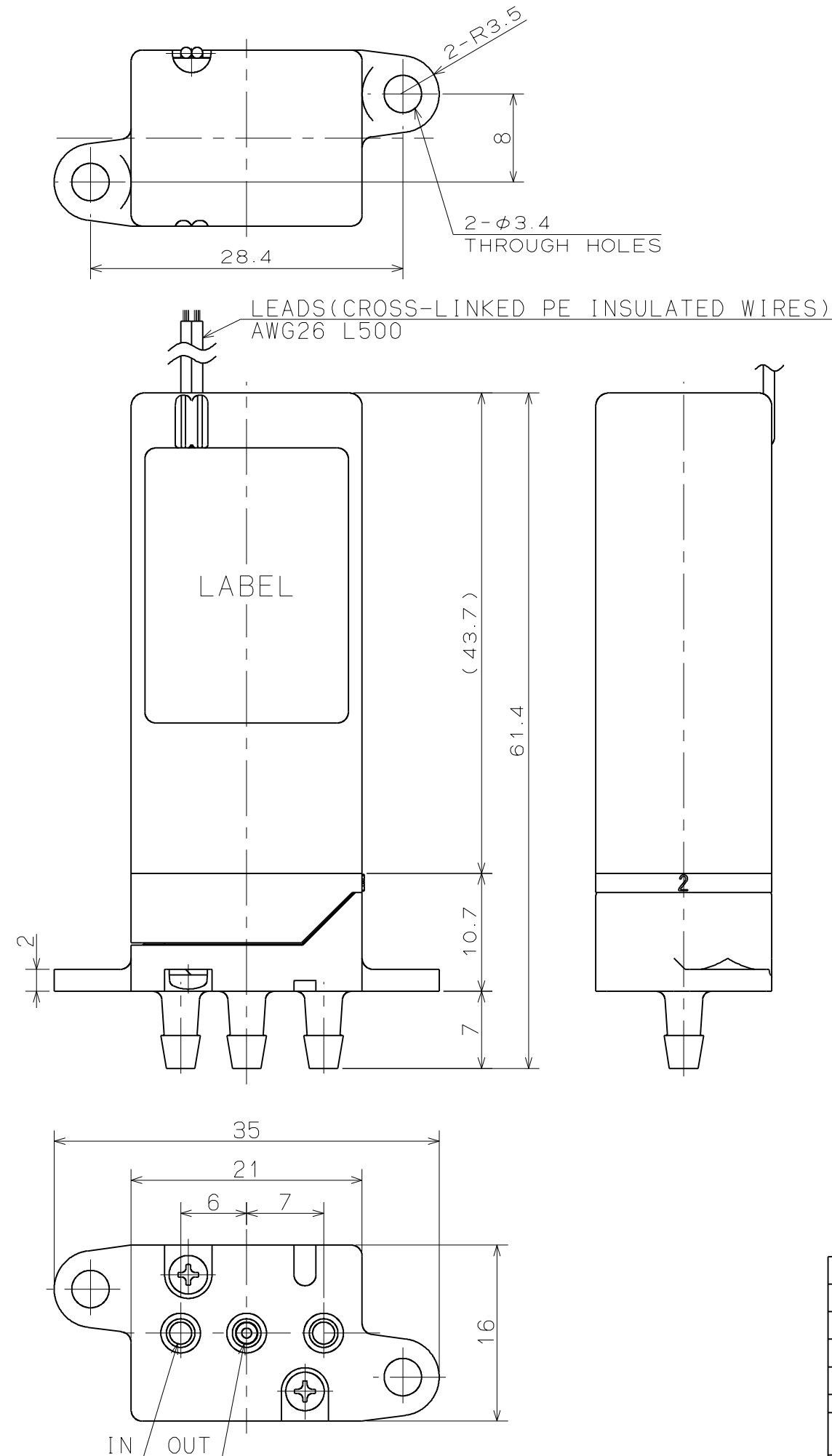


FOR REFERENCE ONLY

# SOLENOID VALVE

## SPECIFICATIONS FOR MODEL WEG-2R-N1E



- ORIFICE DIAMETER : 2mm
- PORT CONNECTION : HOSE BARB
- OPERATING PRESSURE RANGE : IN -90 ~ 200kPa  
{ -675mmHg ~ 2bar }
- OUT -90 ~ 200kPa  
{ -675mmHg ~ 2bar }
- FLUID MEDIA : FLUIDS CHEMICALLY COMPATIBLE WITH MATERIALS BELOW
- MEDIA TEMPERATURE RANGE : 5 ~ 50°C
- AMBIENT TEMPERATURE RANGE : 5 ~ 50°C
- RATED VOLTAGE : 12VDC, 24VDC
- POWER CONSUMPTION : 2.6W
- DUTY CYCLE : CONTINUOUS
- COIL TEMPERATURE INCREASE : MAX. 65°C FROM ROOM TEMPERATURE
- INSULATION CLASS : CLASS E
- DIELECTRIC STRENGTH : 1000VAC FOR 60s

HOSE BARB DETAIL  
SCALE: 3/1

### WETTED MATERIALS

6	O RING	EPDM	1	
5	VALVE BODY A	PPS	1	
4	STEM	PPS	1	
3	DISK	EPDM	1	EP000179
2	GASKET	EPDM	1	EP000179
1	VALVE BODY B	PPS	1	

SYM.	DATE	DESCRIPTION	PART NO.	PART NAME	MATERIAL	REQD.	NOTE
△							
△							
△							
REVISION			SCALE		DRAWING NO		
A 3			2/1		14148-00-S		
APPROVED			DRAWN		SOLENOID VALVE		
A. Tada			Y. Yamada		WEG-2R-N1E		