

Ring Pump®

M Series (DC type)



Features

This is the only series among our product lineup that you can select DC or AC. You have wide range of application.

Examples of application

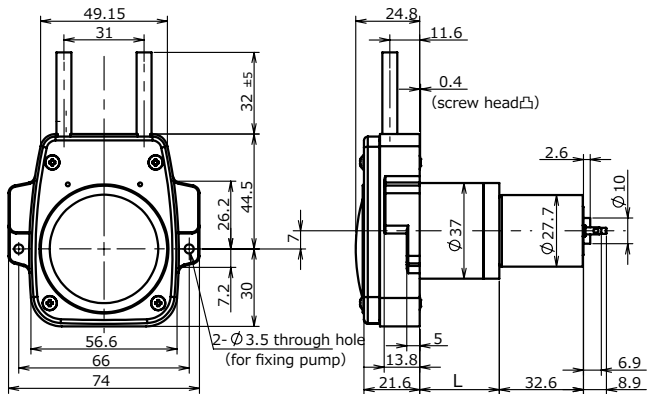
Automatic washing machine, Electrolytic water conditioner, Air pressure adjuster, Automatic car washer and many other applications for detergent supply etc.

Main specifications

Flow rate (mL/min) ※	5 10 20 30 50 65
Tubing	Silicone/Pharmed/TM-15/SWFT
Motor/Power source	DC 24V
Material of main parts	Base : ABS Cover : PP
Weight (for reference)	Approx. 260g

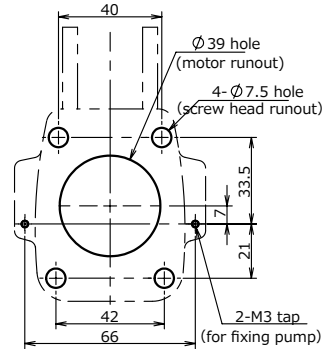
※ Flow rate is adjusted by selection of motor and inner diameter of tubing.

【Outline view】



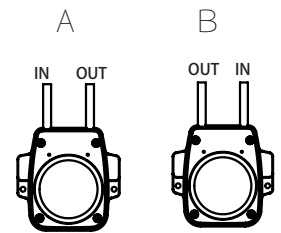
※L dimension = Refer to the table below.

【Mounting plate view】



Be sure that the motor shaft position is horizontal.

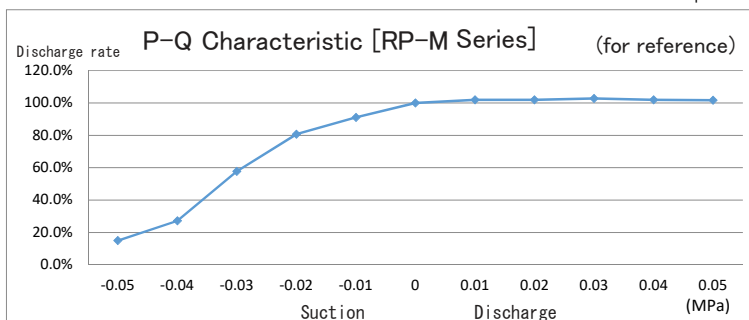
【Flow direction】



Model Lineup

Model Lineup	Voltage (DC/V)	Flow rate (mL)		Tubing		Remarks		
		/min	/rotation	Type	ID/OD (mm)	Motor Rotation	Flow Direction	※ L Dimension
RP-M02S-5Z-DC24V	24	5	0.33	Silicone (S)	2 X 4	CCW	B	35.6
RP-M02F-5Z-DC24V	24	5	0.33	PharMed (F)	2 X 4	CCW	B	35.6
RP-M02W-5Z-DC24V	24	5	0.33	TM-15 (W)	2 X 4	CCW	B	35.6
RP-M03S-10Z-DC24V	24	10	0.5	Silicone (S)	3 X 5	CW	A	30.8
RP-M03F-10Z-DC24V	24	10	0.5	PharMed (F)	3 X 5	CW	A	30.8
RP-M03W-10Z-DC24V	24	10	0.5	TM-15 (W)	3 X 5	CW	A	30.8
RP-M03S-20Z-DC24V	24	20	0.5	Silicone (S)	3 X 5	CW	A	30.8
RP-M03F-20Z-DC24V	24	20	0.5	PharMed (F)	3 X 5	CW	A	30.8
RP-M03W-20Z-DC24V	24	20	0.5	TM-15 (W)	3 X 5	CW	A	30.8
RP-M03S-30Z-DC24V	24	30	0.5	Silicone (S)	3 X 5	CW	A	30.8
RP-M03F-30Z-DC24V	24	30	0.5	PharMed (F)	3 X 5	CW	A	30.8
RP-M03W-30Z-DC24V	24	30	0.5	TM-15 (W)	3 X 5	CW	A	30.8
RP-M04S-50Z-DC24V	24	50	0.67	Silicone (S)	4 X 6	CCW	B	28.3
RP-M04F-50Z-DC24V	24	50	0.67	PharMed (F)	4 X 6	CCW	B	28.3
RP-M04W-50Z-DC24V	24	50	0.67	TM-15 (W)	4 X 6	CCW	B	28.3
RP-M04C-50Z-DC24V	24	50	0.67	SWFT (C)	3.9 X 5.8	CCW	B	28.3
RP-M04F-70Z-DC24V	24	65	0.67	PharMed (F)	4 X 6	CCW	B	28.3
RP-M04W-70Z-DC24V	24	65	0.67	TM-15 (W)	4 X 6	CCW	B	28.3
RP-M04C-70Z-DC24V	24	65	0.67	SWFT (C)	3.9 X 5.8	CCW	B	28.3

PharMed/SWFT: product of Saint-Gobain SA
TM-15: product of Mitsubishi Co. Ltd.



※ Variable by material or ID of tubing.