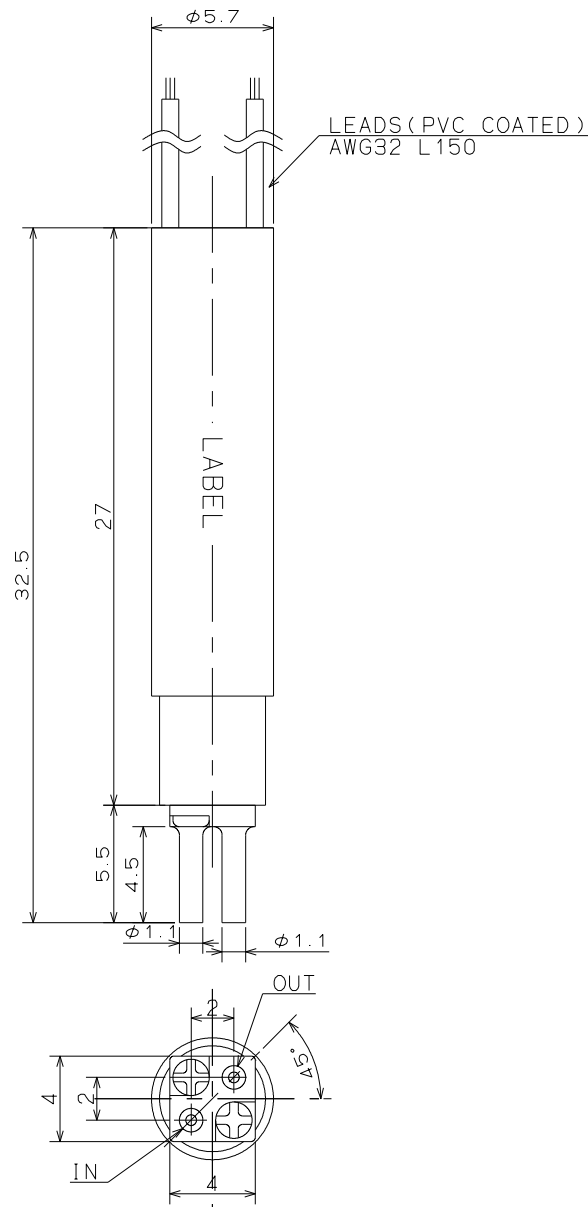


# SOLENOID VALVE

FOR REFERENCE  
ONLY



## PROJECTED SPECIFICATIONS for MODEL NLV-2-N1F(G)

SOLENOID TYPE	: LATCHING
ORIFICE DIAMETER	: 0.4mm
PORT CONNECTION	: HOSE BARB
OPERATING PRESSURE RANGE	: IN 0 ~ 100kPa { 0 ~ 1bar}
	: OUT 0 ~ 50kPa { 0 ~ 0.5bar}
FLUID MEDIA	: FLUIDS CHEMICALLY COMPATIBLE WITH MATERIALS BELOW
MEDIA TEMPERATURE RANGE	: 10 ~ 50°C
AMBIENT TEMPERATURE RANGE	: 10 ~ 50°C
RATED VOLTAGE	: 5VDC
* POWER CONSUMPTION	: 1.5W
* ENERGIZING TIME	: 0.2s ~ 1s
* DUTY CYCLE	:
INSULATION CLASS	: CLASS B
DIELECTRIC STRENGTH	: 800VAC FOR 60s

NOTE  
THE SPECIFICATIONS MARKED WITH \* WILL BE VERIFIED BY PROTOTYPE

TABLE OF LEAD COLOR, POLARITY AND VALVE STATUS

POLARITY : LEAD COLOR	⊕ : WHITE ⊖ : BLUE	⊕ : BLUE ⊖ : WHITE
STATUS	OPEN → CLOSED	CLOSED → OPEN

### NOTE

MODEL NUMBER	DIAPHRAGM GASKET MATERIAL
NLV-2-N1F	FPM
NLV-2-N1G	DAIEL PERFLUOR

### WETTED MATERIALS

△			4	HOSE BARB	PEEK	1	
△			3	GASKET	FPM/DAIEL PERFLUOR	1	
△			2	DIAPHRAGM	FPM/DAIEL PERFLUOR	1	
SYM.	DATE	DESCRIPTION	1	VALVE BODY	PEEK	1	
REVISION			PART NO.	PART NAME	MATERIAL	REQD.	NOTE
SCALE	APPROVED	CHECKED	DRAWN		DRAWING NO		
4/1					SOLENOID VALVE NLV-2-N1F(G)		07389-00-E
A 3							