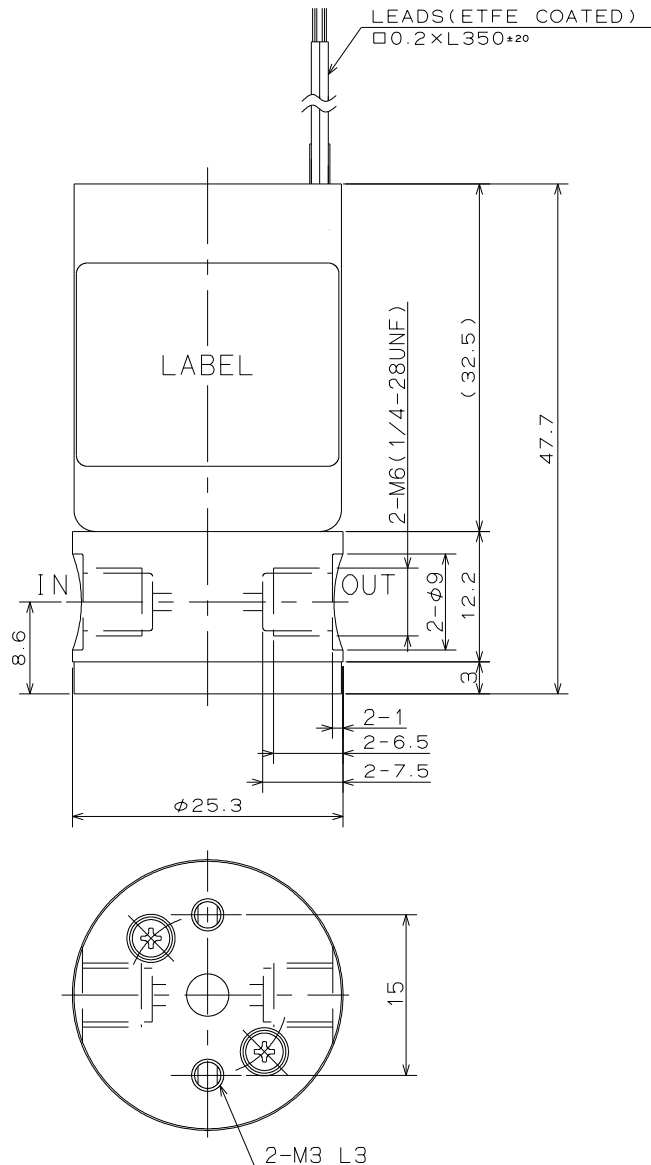


FOR REFERENCE ONLY

SOLENOID VALVE

SPECIFICATIONS FOR MODEL MTV-2A-M6(1/4U)GHT-2



- ORIFICE DIAMETER : 1.6mm
- PORT CONNECTION : M6, 1/4-28UNF
- OPERATING PRESSURE RANGE : IN 0 ~ 800kPa
 { 0 ~ 8bar }
- OUT 0 ~ 100kPa
 { 0 ~ 1bar }
- FLUID MEDIA : FLUIDS CHEMICALLY COMPATIBLE WITH MATERIALS BELOW
- MEDIA TEMPERATURE RANGE : 5 ~ 180°C
- AMBIENT TEMPERATURE RANGE : 5 ~ 40°C
- RATED VOLTAGE : 12VDC, 24VDC
- POWER CONSUMPTION : 7.6W
- DUTY CYCLE : INTERMITTENT
 ED=20% MAXIMUM ON TIME 5min.
- INSULATION CLASS : CLASS H
- DIELECTRIC STRENGTH : 1500VAC FOR 60s

NOTE
 PLEASE TEST THE PRODUCT THOROUGHLY BEFORE THE INSTALLATION.

MODEL NUMBER	PORT CONNECTION
MTV-2A-M6GHT-2	M6
MTV-2A-1/4UGHT-2	1/4-28UNF

WETTED MATERIALS

△							
△			3	DAIAPHRAGM	PFA	1	
△			2	SOFT SEAL	DAIEL™ PERFLUOR	1	
SYM.	DATE	DESCRIPTION	1	VALVE BODY	PFA	1	
REVISION			PART NO.	PART NAME	MATERIAL	REQD.	NOTE
SCALE	APPROVED	CHECKED	DRAWN		DRAWING NO		
2/1		<i>H. Koyashi</i>	<i>Y. Yamada</i>	SOLENOID VALVE		19234-00-S	
A 3				MTV-2A-M6(1/4U)GHT-2			