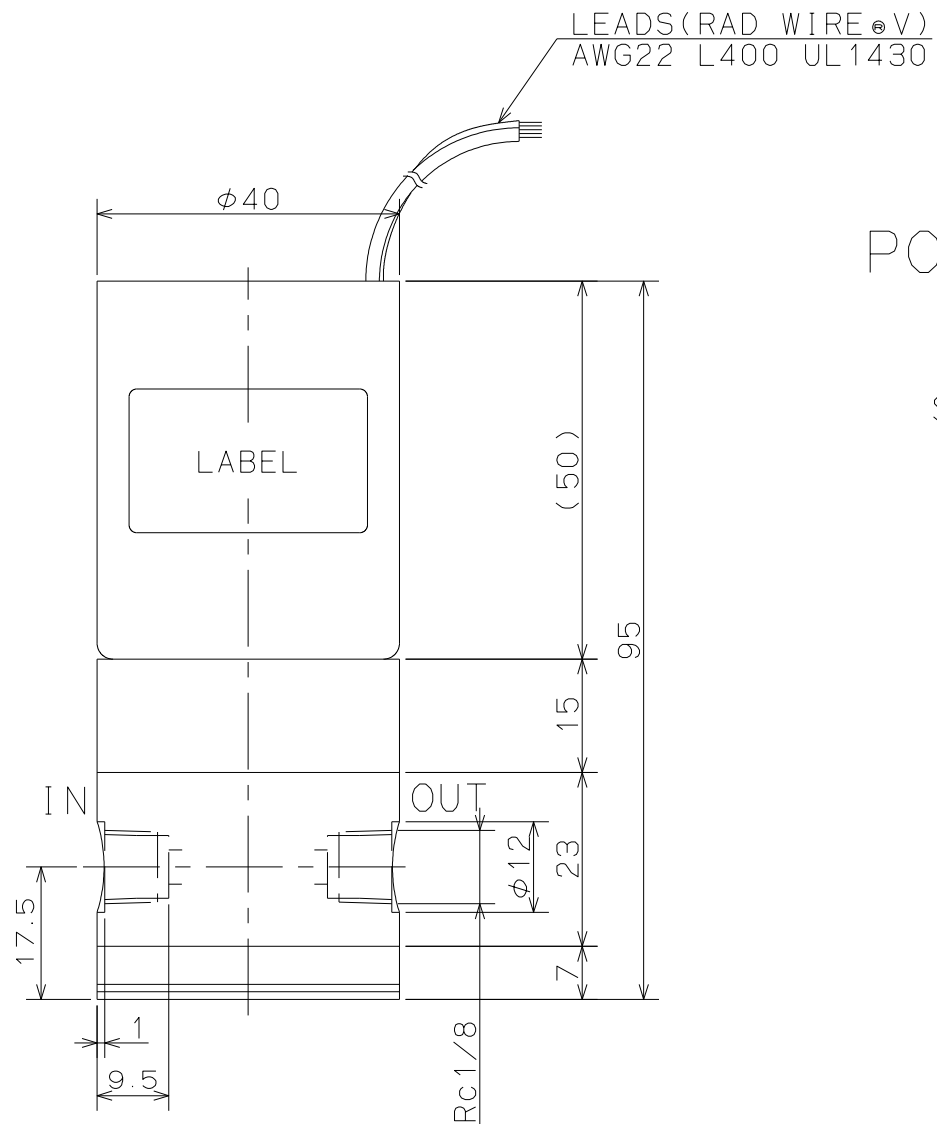


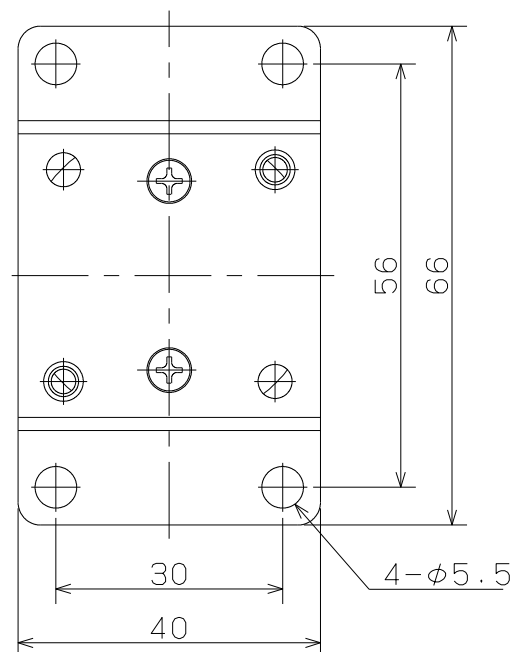
FOR REFERENCE ONLY



## PORTIONAL DIAPHRAGM VALVE

### SPECIFICATIONS for MODEL NPV-4T1/8

ORIFICE DIAMETER	:	4mm
PORT CONNECTION	:	Rc1/8
OPERATING PRESSURE RANGE	:	IN     0 ~ 100kPa {0 ~ 1bar}
		OUT     0 ~ 50kPa {0 ~ 0.5bar}
FLUID MEDIA	:	FLUIDS CHEMICALLY COMPATIBLE WITH MATERIALS BELOW
MEDIA TEMPERATURE RANGE	:	10 ~ 60°C
AMBIENT TEMPERATURE RANGE	:	10 ~ 60°C
CONTROL VOLTAGE RANGE	:	15VDC ~ 22VDC {MAX24VDC}
FLOW CONTROL RANGE	:	0 ~ 30L/MIN {ΔP=10kPa Air}
POWER CONSUMPTION	:	7W
DUTY CYCLE	:	CONTINUOUS
INSULATION CLASS	:	CLASS E
COIL TEMPERATURE INCREASE	:	MAX. 60°C FROM ROOM TEMPERATURE {AT 24VDC}
DIELECTRIC STRENGTH	:	1500VAC FOR 60s



### WETTED MATERIALS

SYMBOL	DATE	DESCRIPTION	PART NO.	PART NAME	MATERIAL	REQD.	NOTE
△			2	DIAPHRAGM	PTFE	1	
△			1	VALVE BODY	PTFE	1	
REVISION							
SCALE	APPROVED	CHECKED	DRAWN	PROPORTIONAL DIAPHRAGM VALVE		DRAWING NO	
1/1				NPV-4T1/8		11194-00-S	
A 3							