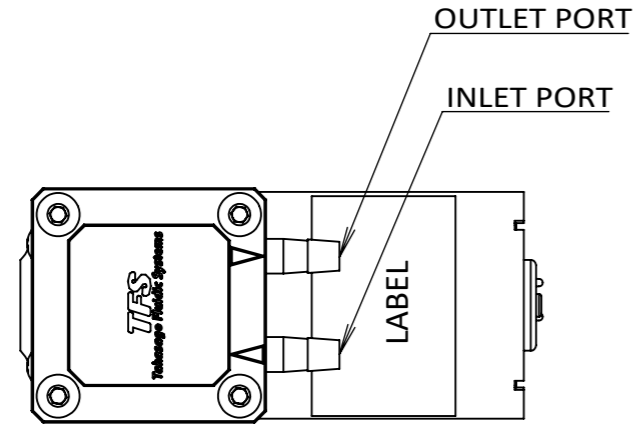


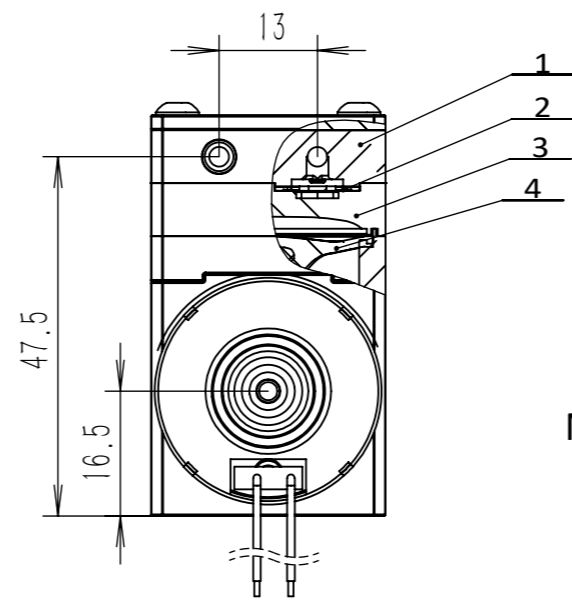
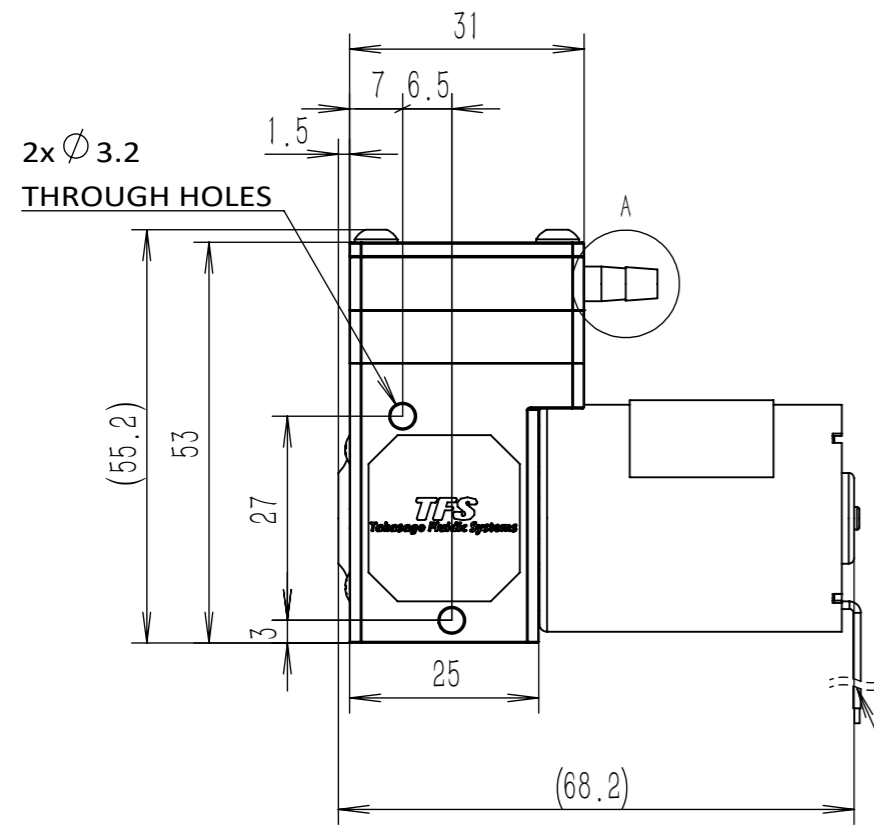
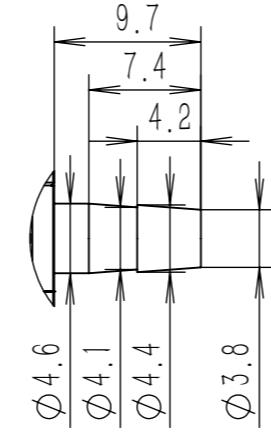
REV.	DESCRIPTION	LOC	ECN	BY	DATE
------	-------------	-----	-----	----	------

# DIAPHRAGM LIQUID PUMP

- MODEL NUMBER : DCP-500P-N1XX
- FLOW RATE AT ATM.PRESSURE : 500 mL/min
- MAX. DISCHARGE PRESSURE : 100kPa
- MAX. VACUUM PRESSURE : -60kPa
- PORT CONNECTION : HOSE BARBS
- FLUID MEDIA : LIQUID CHEMICALLY COMPATIBLE WITH MATERIALS BELOW
- MEDIA TEMPERATURE RANGE : 0°C ~ 80°C
- AMBIENT TEMPERATURE RANGE : 0°C ~ 40°C
- RATED VOLTAGE : 12 VDC / 24 VDC
- POWER CONSUMPTION : 8 W
- DUTY CYCLE : CONTINUOUS
- INSULATION CLASS : CLASS F



A  
2:1



LEAD COLOR : (+) RED (-) BLACK  
L=300±10  
LEAD WIRE : UL3266 AWG26

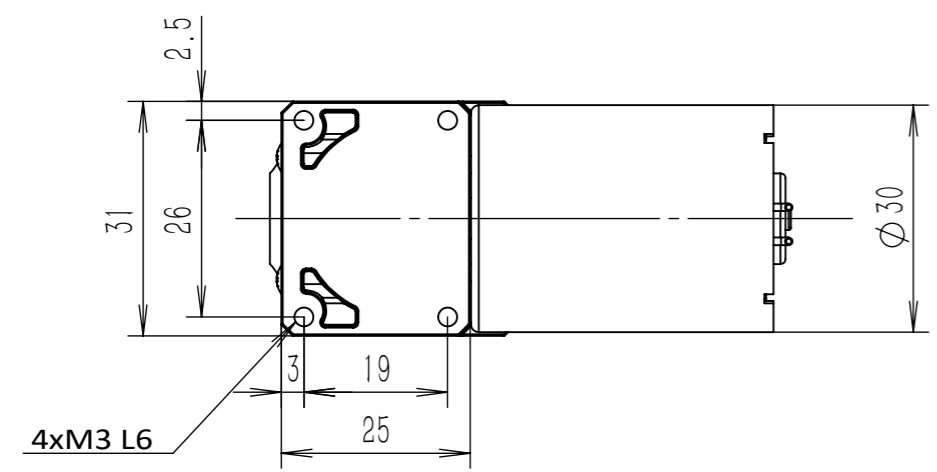
NOTE

DCP-500P-N1XX

DIAPHRAGM MATERIAL		CHECK VALVES MATERIAL	
E	EPDM	E	EPDM
F	FKM	F	FKM

WETTED MATERIALS接液部材质

4	DIAPHRAGM 隔膜	EPDM/FKM	1	
3	LOWER PLATE 下盖板	PP+20%GF	1	
2	CHECK VALVES 单向阀	EPDM/FKM	2	
1	MIDDLE PLATE 中盖板	PP+20%GF	1	
PART NO. 零件号	PART NAME 部品名	MATERIAL 材料	QUANTITY 数量	NOTE 备注



APPROVED BY 批准	CHECKED BY 校对	DRAWN BY 设计	THIRD ANGLE PROJECTION  Unit mm 单位	
TAKASAGO ELECTRIC (SUZHOU) CO., LTD 高砂电气(苏州)有限公司		DRW. NUMBER 图号 S16003-F00-M00	SCALE 比例 1:1	SIZE 图纸 A3
		MODEL NUMBER 型号 DCP-500P-N1XX	REV. 版本 00	SHEET 页 1/1